



US008585253B2

(12) **United States Patent**
Duong et al.

(10) **Patent No.:** **US 8,585,253 B2**
(45) **Date of Patent:** **Nov. 19, 2013**

(54) **SYSTEM AND METHOD FOR COLOR MIXING LENS ARRAY**

(75) Inventors: **Dung T. Duong**, Cedar Park, TX (US);
Hyunchul Ko, Austin, TX (US);
Randall E. Johnson, Austin, TX (US);
Paul N. Winberg, Rollingwood, TX (US);
Emil Radkov, Kyle, TX (US)

3,988,633 A 10/1976 Shurgan et al.
4,125,890 A 11/1978 Nixon, Jr.
4,180,755 A 12/1979 Nixon, Jr.
4,239,369 A 12/1980 English et al.
4,304,479 A 12/1981 Van Allen
4,388,633 A 6/1983 Vasudev
4,439,910 A 4/1984 Vasudev
4,486,364 A 12/1984 Takahashi
4,501,637 A 2/1985 Mitchell et al.
4,716,507 A 12/1987 Ames

(73) Assignee: **Illumitex, Inc.**, Austin, TX (US)

(Continued)

(*) Notice: Subject to any disclaimer, the term of this patent is extended or adjusted under 35 U.S.C. 154(b) by 167 days.

FOREIGN PATENT DOCUMENTS

CN 101385145 A 3/2009
EP 0534843 A1 3/1993

(21) Appl. No.: **13/077,594**

(Continued)

(22) Filed: **Mar. 31, 2011**
(Under 37 CFR 1.47)

OTHER PUBLICATIONS

Office Action for U.S. Appl. No. 12/795,484, mailed Jan. 5, 2012, 39 pgs.

(65) **Prior Publication Data**

US 2012/0068615 A1 Mar. 22, 2012

(Continued)

Related U.S. Application Data

(63) Continuation-in-part of application No. 12/646,570, filed on Dec. 23, 2009, now Pat. No. 8,449,128.

Primary Examiner — Laura Tso

(74) *Attorney, Agent, or Firm* — Sprinkle IP Law Group

(60) Provisional application No. 61/319,739, filed on Mar. 31, 2010, provisional application No. 61/235,491, filed on Aug. 20, 2009.

(57)

ABSTRACT

Embodiments described herein provide optical systems that can mix colors to produce illumination patterns having a large area with uniform color. One embodiment of an optical system can include a set of optical units that each produces an illumination pattern with uniform color and intensity. The optical units are spaced so that the individual illumination patterns overlap to create an overall illumination pattern with an overlap area. In the overlap area, the colors emitted by the individual optical units mix to create a desired color. Embodiments of optical systems can provide beam control so that the optical units emit a high percentage of light in beam.

(51) **Int. Cl.**
F21V 33/00 (2006.01)

(52) **U.S. Cl.**
USPC **362/311.02**; 362/237; 362/244

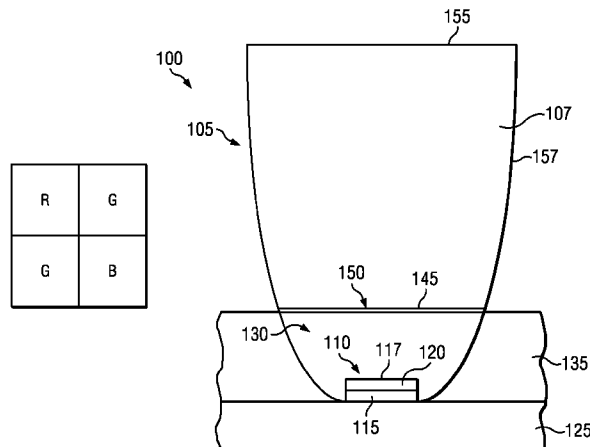
(58) **Field of Classification Search**
USPC 362/311.02, 249.02, 237, 244
See application file for complete search history.

(56) **References Cited**

U.S. PATENT DOCUMENTS

1,670,837 A 5/1828 Blackmore
3,981,023 A 9/1976 King

20 Claims, 26 Drawing Sheets



(56)

References Cited

U.S. PATENT DOCUMENTS

4,728,999	A	3/1988	Dannatt et al.	6,377,535	B1	4/2002	Chen et al.
4,740,259	A	4/1988	Heinen	6,410,942	B1	6/2002	Thibeault
4,799,136	A	1/1989	Molnar	6,417,019	B1	7/2002	Mueller et al.
4,841,344	A	6/1989	Heinen	6,443,594	B1	9/2002	Marshall et al.
4,966,862	A	10/1990	Edmond	6,445,011	B1	9/2002	Hirano et al.
5,036,339	A	7/1991	Hediger	6,452,214	B2	9/2002	Kaneyama et al.
5,087,949	A	2/1992	Haitz	6,459,100	B1	10/2002	Doverspike et al.
5,114,513	A	5/1992	Hosokawa	6,478,453	B2	11/2002	Lammers et al.
5,126,929	A	6/1992	Cheselke	6,486,499	B1	11/2002	Krames et al.
5,151,718	A	9/1992	Nelson	6,489,636	B1	12/2002	Goetz et al.
5,174,649	A	12/1992	Alston	6,501,102	B2	12/2002	Mueller-Mach et al.
5,218,216	A	6/1993	Manabe et al.	6,502,956	B1	1/2003	Wu
5,233,204	A	8/1993	Fletcher et al.	6,504,171	B1	1/2003	Grillot et al.
5,251,117	A	10/1993	Nagai	6,504,179	B1	1/2003	Ellens et al.
5,272,108	A	12/1993	Kozawa et al.	6,514,782	B1	2/2003	Wierer, Jr. et al.
5,278,433	A	1/1994	Manabe et al.	6,515,313	B1	2/2003	Ibbetson et al.
5,281,830	A	1/1994	Kotaki et al.	6,526,082	B1	2/2003	Corzine et al.
5,315,490	A	5/1994	Bastable	6,526,201	B1	2/2003	Mrakovich et al.
5,369,289	A	11/1994	Tamaki et al.	6,527,411	B1	3/2003	Sayers
5,523,591	A	6/1996	Fleming et al.	6,534,797	B1	3/2003	Edmond et al.
5,528,720	A	6/1996	Winston	6,541,800	B2	4/2003	Barnett et al.
5,563,422	A	10/1996	Nakamura et al.	6,547,416	B2	4/2003	Pashley et al.
5,578,156	A	11/1996	Kamakura et al.	6,547,423	B2	4/2003	Marshall
5,587,593	A	12/1996	Koide et al.	6,563,142	B2	5/2003	Shen et al.
5,620,557	A	4/1997	Manabe et al.	6,570,190	B2	5/2003	Krames
5,652,438	A	7/1997	Sassa et al.	6,573,537	B1	6/2003	Steigerwald et al.
5,654,831	A	8/1997	Byren et al.	6,576,488	B2	6/2003	Collins, III et al.
5,667,297	A	9/1997	Maassen	6,576,932	B2	6/2003	Khare et al.
5,700,713	A	12/1997	Yamakazi et al.	D477,579	S	7/2003	Suenaga
5,739,554	A	4/1998	Edmond et al.	D477,580	S	7/2003	Kamada
5,780,867	A	7/1998	Fritz et al.	6,598,998	B2	7/2003	West
5,813,753	A	9/1998	Vriens et al.	D478,877	S	8/2003	Hoshiba
5,839,424	A	11/1998	Hauser	6,603,243	B2	8/2003	Parkyn et al.
5,846,844	A	12/1998	Akasaki et al.	6,603,258	B1	8/2003	Mueller-Mach et al.
5,862,167	A	1/1999	Sassa et al.	6,608,330	B1	8/2003	Yamada
5,912,477	A	6/1999	Negley	6,610,598	B2	8/2003	Chen
5,945,689	A	8/1999	Koike et al.	6,620,643	B1	9/2003	Koike et al.
5,953,469	A	9/1999	Zhou	6,623,142	B1	9/2003	Lippmann et al.
5,959,401	A	9/1999	Asami et al.	6,630,689	B2	10/2003	Bhat et al.
5,998,925	A	12/1999	Shimizu et al.	6,630,691	B1	10/2003	Mueller-Mach et al.
6,005,722	A	12/1999	Butterworth et al.	6,630,692	B2	10/2003	Goetz et al.
6,008,539	A	12/1999	Shibata et al.	6,635,503	B2	10/2003	Andrews et al.
6,023,076	A	2/2000	Shibata	6,635,904	B2	10/2003	Goetz et al.
6,066,861	A	5/2000	Hohn et al.	6,637,921	B2	10/2003	Coushaine
6,078,064	A	6/2000	Ming-Jiunn et al.	6,639,733	B2	10/2003	Minano
6,093,941	A	7/2000	Russell	D482,337	S	11/2003	Kamada
6,118,908	A	9/2000	Bischel	D482,666	S	11/2003	Kamada
6,133,589	A	10/2000	Krames	6,642,618	B2	11/2003	Yagi et al.
6,144,536	A	11/2000	Zimmerman	6,642,652	B2	11/2003	Collins, III et al.
6,169,294	B1	1/2001	Biing-Jye et al.	6,649,440	B1	11/2003	Krames et al.
6,177,761	B1	1/2001	Pelka et al.	6,649,943	B2	11/2003	Shibata et al.
6,185,051	B1	2/2001	Chen et al.	6,649,946	B2	11/2003	Bogner et al.
6,194,742	B1	2/2001	Kern et al.	6,650,044	B1	11/2003	Lowery
6,201,262	B1	3/2001	Edmond et al.	6,657,236	B1	12/2003	Thibeault
6,221,683	B1	4/2001	Nirsche et al.	6,657,300	B2	12/2003	Goetz et al.
6,222,207	B1	4/2001	Carter-Coman et al.	6,664,560	B2	12/2003	Emerson et al.
6,229,160	B1	5/2001	Krames	6,671,452	B2	12/2003	Winston
6,229,782	B1	5/2001	Wang et al.	6,679,621	B2	1/2004	West et al.
6,257,737	B1	7/2001	Marshall et al.	6,680,490	B2	1/2004	Yasukawa et al.
6,258,618	B1	7/2001	Lester	6,680,569	B2	1/2004	Mueller-Mach et al.
6,271,622	B1	8/2001	Coushaine et al.	6,682,207	B2	1/2004	Weber et al.
6,274,924	B1	8/2001	Carey et al.	6,682,331	B1	1/2004	Peh
6,287,947	B1	9/2001	Ludowise et al.	6,683,327	B2	1/2004	Krames et al.
6,307,218	B1	10/2001	Steigerwald et al.	6,686,691	B1	2/2004	Mueller et al.
6,310,364	B1	10/2001	Uemura	6,696,703	B2	2/2004	Mueller-Mach et al.
6,323,063	B2	11/2001	Krames	6,711,200	B1	3/2004	Scherer
6,331,450	B1	12/2001	Uemura	6,717,353	B1	4/2004	Mueller et al.
6,335,999	B1	1/2002	Winston	6,717,355	B2	4/2004	Takahashi et al.
6,337,493	B1	1/2002	Tanizawa et al.	D489,690	S	5/2004	Ishida
D453,745	S	2/2002	Suenaga	D490,387	S	5/2004	Yagi
6,350,041	B1	2/2002	Tarsa et al.	6,730,939	B2	5/2004	Eisert et al.
6,351,069	B1	2/2002	Lowery et al.	6,730,940	B1	5/2004	Steranka
6,356,700	B1	3/2002	Strobl	6,734,467	B2	5/2004	Schlereth et al.
6,361,192	B1	3/2002	Fussell et al.	6,737,681	B2	5/2004	Koda
6,364,487	B1	4/2002	Weber et al.	6,738,175	B2	5/2004	Morita et al.
				6,740,906	B2	5/2004	Slater, Jr. et al.
				D490,782	S	6/2004	Suenaga
				D490,784	S	6/2004	Ishida
				D491,538	S	6/2004	Ishida

(56)

References Cited

U.S. PATENT DOCUMENTS

D491,899 S	6/2004	Yagi	6,924,514 B2	8/2005	Suenaga
6,744,071 B2	6/2004	Sano et al.	6,924,596 B2	8/2005	Sato et al.
6,744,077 B2	6/2004	Trottier et al.	6,925,100 B2	8/2005	Senda et al.
6,746,124 B2	6/2004	Fischer et al.	6,936,859 B1	8/2005	Uemura et al.
6,746,295 B2	6/2004	Sorg	6,936,860 B2	8/2005	Sung et al.
6,747,298 B2	6/2004	Slater, Jr. et al.	6,943,128 B2	9/2005	Chiyo et al.
6,759,803 B2	7/2004	Sorg	6,943,380 B2	9/2005	Ota et al.
6,764,932 B2	7/2004	Kong et al.	6,943,381 B2	9/2005	Gardner et al.
6,768,136 B2	7/2004	Eisert et al.	6,943,433 B2	9/2005	Kamada
6,768,525 B2	7/2004	Paolini	6,946,682 B2	9/2005	Slater, Jr. et al.
6,774,405 B2	8/2004	Yasukawa et al.	6,946,685 B1	9/2005	Steigerwald et al.
6,777,871 B2	8/2004	Duggal	D510,913 S	10/2005	Sumitani
6,784,027 B2	8/2004	Struebel et al.	6,952,024 B2	10/2005	Edmond et al.
D495,822 S	9/2004	Yoneda	6,953,952 B2	10/2005	Asakawa
D496,007 S	9/2004	Hoshiba	6,955,933 B2	10/2005	Bour et al.
6,791,103 B2	9/2004	Nakamura et al.	6,956,245 B2	10/2005	Senda et al.
6,791,116 B2	9/2004	Takahashi et al.	6,956,247 B1	10/2005	Stockman
6,791,119 B2	9/2004	Slater	6,958,497 B2	10/2005	Emerson et al.
6,794,211 B2	9/2004	Oh	6,960,878 B2	11/2005	Sakano et al.
6,794,684 B2	9/2004	Slater, Jr. et al.	6,967,116 B2	11/2005	Negley
6,794,690 B2	9/2004	Uemura	6,969,946 B2	11/2005	Steranka
D497,349 S	10/2004	Hoshiba	6,972,438 B2	12/2005	Li
6,800,500 B2	10/2004	Coman	6,977,396 B2	12/2005	Shen et al.
6,800,876 B2	10/2004	Edmond et al.	6,987,281 B2	1/2006	Edmond et al.
6,806,571 B2	10/2004	Shibata et al.	6,987,287 B2	1/2006	Liu et al.
6,812,053 B1	11/2004	Kong et al.	6,987,613 B2	1/2006	Pocius
6,812,500 B2	11/2004	Reeh et al.	6,989,555 B2	1/2006	Goetz et al.
6,814,470 B2	11/2004	Rizkin et al.	6,992,334 B1	1/2006	Wierer, Jr. et al.
6,819,505 B1	11/2004	Cassarly	6,993,242 B2	1/2006	Winston
6,819,506 B1	11/2004	Taylor	6,995,032 B2	2/2006	Bruhns et al.
6,821,804 B2	11/2004	Thibeault et al.	6,998,771 B2	2/2006	Debray et al.
6,825,501 B2	11/2004	Edmond et al.	7,001,058 B2	2/2006	Inditsky
D499,384 S	12/2004	Kamada	7,002,291 B2	2/2006	Ellens et al.
D499,385 S	12/2004	Ishida	7,005,679 B2	2/2006	Tarsa et al.
6,828,596 B2	12/2004	Steigerwald et al.	7,005,681 B2	2/2006	Bader et al.
6,828,599 B2	12/2004	Kim	7,005,684 B2	2/2006	Uemura et al.
6,831,302 B2	12/2004	Erchak	7,009,008 B1	3/2006	Hohn et al.
6,831,305 B2	12/2004	Yasukawa et al.	7,009,199 B2	3/2006	Hall
6,833,564 B2	12/2004	Shen et al.	7,009,213 B2	3/2006	Camras
6,835,957 B2	12/2004	Stockman	7,009,218 B2	3/2006	Sugimoto et al.
6,838,705 B1	1/2005	Tanizawa et al.	7,012,279 B2	3/2006	Wierer Jr. et al.
6,841,931 B2	1/2005	Takahashi et al.	7,012,281 B2	3/2006	Tsai et al.
6,844,565 B2	1/2005	Lell et al.	7,015,054 B2	3/2006	Steigerwald et al.
6,844,903 B2	1/2005	Mueller-Mach et al.	7,015,513 B2	3/2006	Hsieh
6,846,101 B2	1/2005	Coushaine	7,015,516 B2	3/2006	Eliashevich
6,847,057 B1	1/2005	Gardner et al.	7,018,915 B2	3/2006	Shibata et al.
6,850,002 B2	2/2005	Danielson et al.	7,021,797 B2	4/2006	Minano
6,853,010 B2	2/2005	Slater	7,026,653 B2	4/2006	Sun
D502,449 S	3/2005	Ishida	7,029,935 B2	4/2006	Negley et al.
D503,388 S	3/2005	Ishida	7,029,939 B2	4/2006	Chiyo et al.
6,870,191 B2	3/2005	Niki et al.	7,030,423 B2	4/2006	Chang et al.
6,870,311 B2	3/2005	Mueller et al.	7,037,741 B2	5/2006	Tasi et al.
6,871,982 B2	3/2005	Holman	7,038,246 B2	5/2006	Uemura
6,872,986 B2	3/2005	Fukuda et al.	7,038,370 B2	5/2006	Mueller-Mach et al.
6,876,008 B2	4/2005	Bhat et al.	7,040,774 B2	5/2006	Beeson
6,876,009 B2	4/2005	Narukawa et al.	7,042,012 B2	5/2006	Senda et al.
6,877,558 B2	4/2005	Connell et al.	7,042,153 B2	5/2006	Uemura
6,878,973 B2	4/2005	Lowery et al.	7,045,956 B2	5/2006	Braune et al.
6,885,033 B2	4/2005	Andrews	7,053,417 B2	5/2006	Kim
6,885,036 B2	4/2005	Tarsa	7,053,419 B1	5/2006	Camras
6,888,997 B2	5/2005	Duong	7,063,807 B2	6/2006	Kummer et al.
6,890,085 B2	5/2005	Hacker	7,064,353 B2	6/2006	Bhat
6,891,199 B2	5/2005	Baur et al.	7,064,355 B2	6/2006	Camras
6,896,381 B2	5/2005	Benitez	7,064,480 B2	6/2006	Bokor et al.
6,897,488 B2	5/2005	Baur et al.	7,070,300 B2	7/2006	Harbers et al.
6,897,490 B2	5/2005	Brunner et al.	7,071,494 B2	7/2006	Steigerwald
6,900,472 B2	5/2005	Kondoh et al.	7,071,495 B2	7/2006	Uemura
6,900,474 B2	5/2005	Misra et al.	7,072,096 B2	7/2006	Holman
D506,449 S	6/2005	Hoshiba	7,074,631 B2	7/2006	Erchak
6,903,376 B2	6/2005	Shen et al.	7,075,610 B2	7/2006	Scalora
6,906,352 B2	6/2005	Edmond et al.	7,078,254 B2	7/2006	Loh
6,911,676 B2	6/2005	Yoo	7,078,732 B1	7/2006	Reeh et al.
6,916,748 B2	7/2005	Huang	7,078,738 B2	7/2006	Nawashiro et al.
6,917,059 B2	7/2005	Uemura	7,080,932 B2	7/2006	Keuper
6,921,928 B2	7/2005	Sonobe	7,083,993 B2	8/2006	Erchak
			7,087,738 B2	8/2006	Botstein et al.
			7,087,931 B2	8/2006	Wu et al.
			7,087,936 B2	8/2006	Negley
			7,091,656 B2	8/2006	Murazaki et al.

(56)

References Cited

U.S. PATENT DOCUMENTS

7,095,765 B2	8/2006	Liu et al.	7,335,920 B2	2/2008	Denbaars et al.
7,098,588 B2	8/2006	Jager et al.	7,338,822 B2	3/2008	Wu et al.
7,105,857 B2	9/2006	Nagahama et al.	7,341,878 B2	3/2008	Krames et al.
7,106,090 B2	9/2006	Harle et al.	7,344,902 B2	3/2008	Basin et al.
7,108,386 B2	9/2006	Jacobson	7,345,297 B2	3/2008	Yamazoe et al.
7,109,521 B2	9/2006	Hallin	7,345,313 B2	3/2008	Strauss et al.
7,109,529 B2	9/2006	Uemura et al.	7,345,413 B2	3/2008	Braune et al.
7,111,964 B2	9/2006	Suehiro et al.	7,348,600 B2	3/2008	Narukawa et al.
7,112,636 B2	9/2006	Okada	D565,516 S	4/2008	Kamada
7,122,839 B2	10/2006	Shen et al.	7,351,356 B2	4/2008	Delsing et al.
7,132,695 B2	11/2006	Ou et al.	7,352,011 B2	4/2008	Smits et al.
7,132,786 B1	11/2006	Debray et al.	7,355,209 B2	4/2008	Tsai et al.
7,138,662 B2	11/2006	Uemura	7,355,210 B2	4/2008	Ou et al.
7,153,015 B2	12/2006	Brukilacchio	7,355,284 B2	4/2008	Negley
7,154,121 B2	12/2006	Hsieh et al.	7,358,522 B2	4/2008	Yanamoto
7,154,149 B2	12/2006	Wu et al.	7,358,540 B2	4/2008	Hsieh et al.
D534,505 S	1/2007	Kamada	7,361,938 B2	4/2008	Mueller et al.
7,157,294 B2	1/2007	Uemura et al.	7,362,048 B2	4/2008	Shimizu et al.
7,161,187 B2	1/2007	Suehiro et al.	7,365,369 B2	4/2008	Nakamura et al.
7,161,301 B2	1/2007	Hsieh et al.	7,365,371 B2	4/2008	Andrews
7,170,097 B2	1/2007	Edmond et al.	7,368,329 B2	5/2008	Waitl et al.
D536,672 S	2/2007	Asakawa	7,372,198 B2	5/2008	Negley
D537,047 S	2/2007	Asakawa	7,375,377 B2	5/2008	Baur et al.
7,183,586 B2	2/2007	Ichihara et al.	D571,738 S	6/2008	Wall, Jr.
7,183,632 B2	2/2007	Arndt et al.	7,382,033 B2	6/2008	Roth et al.
7,183,661 B2	2/2007	Bogner et al.	7,384,809 B2	6/2008	Donofrio
7,192,797 B2	3/2007	Tu et al.	7,385,226 B2	6/2008	Ou et al.
7,193,299 B2	3/2007	Arndt et al.	7,387,677 B2	6/2008	Dwilinski et al.
7,196,359 B2	3/2007	Baur et al.	7,388,232 B2	6/2008	Suehiro et al.
7,201,495 B2	4/2007	Epstein	7,390,684 B2	6/2008	Izuno et al.
7,202,181 B2	4/2007	Negley	D572,209 S	7/2008	Tokuda
7,211,832 B2	5/2007	Hirose	7,393,122 B2	7/2008	Tsuzuki et al.
7,211,833 B2	5/2007	Slater, Jr. et al.	7,393,213 B2	7/2008	Yoo et al.
7,211,835 B2	5/2007	Ono	7,402,837 B2	7/2008	Slater, Jr. et al.
7,215,074 B2	5/2007	Shimizu et al.	7,402,840 B2	7/2008	Krames et al.
7,217,583 B2	5/2007	Negley et al.	7,405,093 B2	7/2008	Andrews
7,227,190 B2	6/2007	Yasukawa et al.	7,414,269 B2	8/2008	Grotsch et al.
7,227,191 B2	6/2007	Eberhard et al.	7,419,839 B2	9/2008	Camras et al.
D547,736 S	7/2007	Kamada	7,429,750 B2	9/2008	Suehiro et al.
7,244,968 B2	7/2007	Yoo	7,429,758 B2	9/2008	Ruhnau et al.
7,247,257 B2	7/2007	Murazaki et al.	D578,226 S	10/2008	West et al.
7,247,884 B2	7/2007	Shibata et al.	7,432,534 B2	10/2008	Yoo et al.
7,247,940 B2	7/2007	Hofer et al.	7,432,536 B2	10/2008	Slater, Jr. et al.
7,250,715 B2	7/2007	Mueller et al.	7,432,589 B2	10/2008	Yamamoto et al.
7,253,450 B2	8/2007	Senda et al.	7,432,642 B2	10/2008	Murazaki
7,253,451 B2	8/2007	Yoo et al.	7,432,647 B2	10/2008	Nagatomi et al.
7,256,428 B2	8/2007	Braune et al.	7,436,002 B2	10/2008	Brunner et al.
7,256,468 B2	8/2007	Suenaga	7,436,066 B2	10/2008	Sonobe et al.
7,256,483 B2	8/2007	Epler et al.	7,439,091 B2	10/2008	Chen et al.
7,258,816 B2	8/2007	Tamaki et al.	7,439,609 B2	10/2008	Negley
7,259,033 B2	8/2007	Slater, Jr. et al.	7,442,254 B2	10/2008	Kiyoku et al.
7,259,402 B2	8/2007	Edmond et al.	7,442,644 B2	10/2008	Nogami
7,264,527 B2	9/2007	Bawendi et al.	7,442,966 B2	10/2008	Bader et al.
7,265,392 B2	9/2007	Hahn et al.	D580,380 S	11/2008	Tokuda
7,268,371 B2	9/2007	Krames et al.	7,445,354 B2	11/2008	Aoki et al.
7,274,040 B2	9/2007	Sun	7,446,343 B2	11/2008	Mueller et al.
7,276,737 B2	10/2007	Camras et al.	7,446,344 B2	11/2008	Fehrer et al.
7,279,346 B2	10/2007	Andrews et al.	7,446,345 B2	11/2008	Emerson et al.
7,279,723 B2	10/2007	Matsumura et al.	7,446,346 B2	11/2008	Harle
7,279,724 B2	10/2007	Collins, III et al.	7,452,737 B2	11/2008	Basin et al.
7,280,288 B2	10/2007	Loh et al.	7,456,499 B2	11/2008	Loh et al.
7,282,744 B2	10/2007	Flynn et al.	D582,865 S	12/2008	Edmond et al.
7,288,797 B2	10/2007	Deguchi et al.	D582,866 S	12/2008	Edmond et al.
7,291,529 B2	11/2007	Slater, Jr. et al.	7,462,861 B2	12/2008	Slater, Jr. et al.
7,291,865 B2	11/2007	Kojima et al.	7,473,933 B2	1/2009	Yan
7,294,866 B2	11/2007	Liu	7,772,604 B2	8/2010	Duong et al.
D557,224 S	12/2007	Kamada	7,789,531 B2	9/2010	Duong et al.
7,319,247 B2	1/2008	Bader et al.	7,829,358 B2	11/2010	Duong et al.
7,319,289 B2	1/2008	Suehiro et al.	7,968,896 B2	6/2011	Duong et al.
7,326,583 B2	2/2008	Andrews et al.	8,087,960 B2	1/2012	Duong et al.
7,326,967 B2	2/2008	Hsieh et al.	8,263,993 B2	9/2012	Duong et al.
7,329,587 B2	2/2008	Bruederl et al.	8,449,128 B2	5/2013	Ko et al.
7,329,905 B2	2/2008	Ibbetson et al.	2002/0012247 A1	1/2002	Kamiya et al.
7,332,365 B2	2/2008	Nakamura et al.	2002/0017844 A1	2/2002	Parkyn et al.
7,335,522 B2	2/2008	Wang et al.	2002/0030194 A1	3/2002	Camras et al.
			2002/0080615 A1	6/2002	Marshall et al.
			2002/0080622 A1	6/2002	Pashley et al.
			2002/0123164 A1	9/2002	Slater et al.
			2002/0127864 A1	9/2002	Smith et al.

(56)

References Cited

U.S. PATENT DOCUMENTS

2002/0141006 A1 10/2002 Pocius et al.
 2002/0163808 A1 11/2002 West et al.
 2003/0002272 A1 1/2003 Suehiro et al.
 2003/0089914 A1 5/2003 Chen
 2003/0132447 A1 7/2003 Yukimoto
 2003/0156416 A1 8/2003 Stopa et al.
 2004/0016718 A1 1/2004 Hwu et al.
 2004/0036080 A1 2/2004 Bogner et al.
 2004/0046489 A1 3/2004 Vectorino et al.
 2004/0079957 A1 4/2004 Andrews et al.
 2004/0114393 A1 6/2004 Galli
 2004/0120153 A1 6/2004 Pate
 2004/0126913 A1 7/2004 Loh
 2004/0155565 A1 8/2004 Holder et al.
 2004/0201987 A1 10/2004 Omata
 2004/0207774 A1 10/2004 Gothard
 2004/0218390 A1 11/2004 Holman et al.
 2004/0222426 A1 11/2004 Hsiung
 2004/0232825 A1 11/2004 Sorg
 2004/0233665 A1 11/2004 West et al.
 2004/0264185 A1 12/2004 Grottsch et al.
 2005/0001230 A1 1/2005 Takekuma
 2005/0006651 A1 1/2005 LeBoeuf et al.
 2005/0007777 A1 1/2005 Klipstein et al.
 2005/0018248 A1 1/2005 Silverbrook
 2005/0024887 A1 2/2005 Boxler
 2005/0047729 A1 3/2005 Vilgiate
 2005/0051782 A1 3/2005 Negley et al.
 2005/0063181 A1 3/2005 Chiba et al.
 2005/0073840 A1 4/2005 Chou et al.
 2005/0073849 A1 4/2005 Rhoads et al.
 2005/0077529 A1 4/2005 Shen
 2005/0093430 A1 5/2005 Ibbetson et al.
 2005/0173719 A1 8/2005 Yonekubo
 2005/0195488 A1 9/2005 McCabe et al.
 2005/0215000 A1 9/2005 Negley
 2006/0044523 A1 3/2006 Teijido et al.
 2006/0046622 A1 3/2006 Prasad
 2006/0094340 A1 5/2006 Ouderkirk et al.
 2006/0108590 A1 5/2006 Kawaguchi
 2006/0192194 A1 8/2006 Erchak et al.
 2007/0063214 A1 3/2007 Kim et al.
 2007/0120135 A1 5/2007 Soules et al.
 2007/0152230 A1 7/2007 Duong et al.
 2008/0030974 A1 2/2008 Abu-Ageel
 2008/0030993 A1 2/2008 Narendran et al.
 2008/0062672 A1 3/2008 Peng et al.
 2008/0080166 A1 4/2008 Duong et al.
 2008/0081531 A1 4/2008 Duong et al.
 2008/0266893 A1 10/2008 Speier
 2009/0085043 A1 4/2009 Song et al.
 2009/0085052 A1 4/2009 Ko et al.
 2009/0087937 A1 4/2009 Kim
 2009/0087994 A1 4/2009 Lee et al.
 2009/0275157 A1 11/2009 Winberg et al.
 2009/0275266 A1 11/2009 Winberg et al.
 2009/0309116 A1 12/2009 Kato et al.
 2011/0044022 A1 2/2011 Ko et al.
 2011/0273894 A1 11/2011 Duong et al.

FOREIGN PATENT DOCUMENTS

EP 1380469 A2 1/2004
 JP 2000-180962 6/2000
 JP 2003-53647 2/2003
 JP 2005-109289 4/2005
 JP P3900144 4/2007
 WO WO 2007/061638 5/2007
 WO WO 2007/081719 A2 7/2007
 WO WO 2008/042351 A3 4/2008

OTHER PUBLICATIONS

Office Action for U.S. Appl. No. 12/492,472, mailed Jan. 17, 2012, 54 pgs.

International Preliminary Report on Patentability for PCT Patent Application No. PCT/US2010/046108, mailed Mar. 1, 2012, 7 pages.
 Office Action issued for U.S. Appl. No. 12/646,570, mailed Mar. 14, 2012, 11 pages.

International Search Report and Written Opinion, International Patent Application No. PCT/US07/00102 mailed Mar. 28, 2008, 10 pgs.

International Search Report and Written Opinion, International Patent Application No. PCT/US07/21117 mailed Mar. 25, 2008, 10 pgs.

International Preliminary Examination Report, International Application No. PCT/US2007/000102, mailed Jul. 17, 2008, 6 pgs.

Light-Emitting Diode, Wikipedia, Nov. 17, 2008, pp. 1-15, at http://en.wikipedia.org/wiki/Light-emitting_diode.

Cree XLamp LED Reliability, Cree LED Light, Sep. 2007, pp. 1-9, Cree, Inc., Durham, NC 27703, at www.cree.com/xlamp.

Golden DRAGON Engineering Kit, OSRAM Opto Semiconductors GmbH, Oct. 4, 2006, Regensburg, Germany, at www.osram-os.com, 6 pgs.

Power Light Source Luxeon Rebel, Technical Datasheet DS56, Philips, Jul. 2008, Philips Lumileds Lighting Company, US, at www.luxeon.com, 34 pgs.

Specification for NICHIA Chip Type White LED, Model NSSW108T, Cat. No. 070606, NICHIA Corporation, 13 pgs.

Haque, High-power LED Stud-bump Packaging, Advanced Packaging, Apr. 2006, 6 pgs., at http://ap.pennnet.com/Articles/Article_Display.cfm?Section+ARTCL&ARTICLEID=252779&VERSI.

Wong et al., Packaging of Power LEDs Using Thermosonic Bonding of Au-Au Interconnects, SMTA Int'l Conf., Sep. 24, 2006, pp. 1-2, SMTA, Edina, MN at www.smta.org.

Moreno, LED Intensity Distribution, International Optical Design Conf. 2006, Jun. 2006, Optical Society of America, ISBN: 1-55752-814-4, 3 pgs.

Moreno et al., Modeling the Radiation Pattern of LEDs, Optics Express, Feb. 4, 2008, vol. 16, No. 3, Optical Society of America #90469, 12 pgs.

Cho et al., Dry etching of GaN and related materials; Comparison of techniques, IEEE Journal of Selected Topics in Quantum Electronics, 1998, 4(3):557-563, 11 pgs.

Mishra, GaN Vacuum Microelectronic Electron Emitter with Integrated Extractor, Santa Barbara CA, Jan. 28, 2009 at my.ece.ucsb.edu/mishra/vacuummicroelec/finalrepsnf.pdf, 4 pgs.

He, GaN layers re-grown on etched GaN templates by plasma assisted molecular beam epitaxy, Mat. Res. Soc. Symp. vol. 798, 2004 Materials Research Society, Richmond, VA, 4 pgs.

Gallium Nitride Film Growth, downloaded Feb. 6, 2009 at www.onr.navy.mil/sci_tech/31/312/ncsr/materials/gan/filmgrowth.asp?cssprinter&.

The Asymmetric Reflector, Elliptipar, West Haven, CT, 2 pgs., downloaded from <http://www.elliptipar.com/reflector.asp> on Mar. 27, 2009.

Sports Lighting Solutions, Lighting Information, Abacus Lighting Limited, Nottinghamshire, England, 3 pgs., downloaded from <http://www.abacuslighting.com/sportlighting.asp?sport=sn03> on Mar. 27, 2009.

Samsung files patents ahead of LED spin-out, Apr. 2, 2009, downloaded Apr. 14, 2009 at <http://compoundsemiconductor.net/cws/article/news/38551>, 2 pgs.

International Search Report and Written Opinion, International Patent Application No. PCT/US2009/033429, dated Apr. 15, 2009, 9 pgs.

International Preliminary Report on Patentability, International Patent Application No. PCT/US2007/021117, dated Apr. 7, 2009, 8 pgs.

Office Action issued in U.S. Appl. No. 11/906,194, mailed on Jul. 24, 2009, 6 pgs.

International Search Report and Written Opinion, International Patent Application No. PCT/US09/48788, mailed Aug. 14, 2009, 6 pgs.

International Search Report and Written Opinion, International Patent Application No. PCT/US09/48787, mailed Aug. 14, 2009, 7 pgs.

(56)

References Cited

OTHER PUBLICATIONS

Office Action issued in U.S. Appl. No. 11/649,018, mailed Sep. 4, 2009, 18 pgs.
Office Action issued in U.S. Appl. No. 11/906,219 mailed on May 13, 2010, 13 pgs.
Notice of Allowance for U.S. Appl. No. 11/906,219, mailed Oct. 12, 2010, 6 pgs.
International Search Report and Written Opinion for International Application No. PCT/US2010/046108, mailed Oct. 18, 2010, 7 pgs.
European Search Report and Written Opinion for Application No. EP 07716261, mailed Nov. 30, 2010, 8 pgs.
Office Action for U.S. Appl. No. 11/906,219 mailed Jan. 18, 2011, 11 pgs.
International Preliminary Report on Patentability for International Application No. PCT/US2009/048787 mailed Jan. 13, 2011, Patent Cooperation Treaty, 7 pgs.

International Preliminary Report on Patentability for International Application No. PCT/US2009/048788 mailed Jan. 13, 2011, Patent Cooperation Treaty, 6 pgs.
Notice of Allowance for U.S. Appl. No. 12/788,094, mailed May 3, 2011, 11 pgs.
Office Action for U.S. Appl. No. 11/906,219, mailed May 24, 2011, 13 pgs.
Office Action for Japanese Patent Application No. 2009-531411 with English translation, Japanese Patent Office, mailed Jul. 23, 2012, 10 pgs.
Notice of Allowance for U.S. Appl. No. 11/906,219, mailed Sep. 1, 2011, 8 pgs.
Notice of Allowance for U.S. Appl. No. 12/646,570, mailed Oct. 17, 2012, 4 pgs.
Office Action (with English translation) for Japanese Patent Application No. 2008-549548, mailed Oct. 4, 2012, 13 pgs.
Butsurigaku Jiten (Dictionary of Physics), Third Edition, Baifukan Corp., Sep. 30, 2005, p. 717, 447-448.

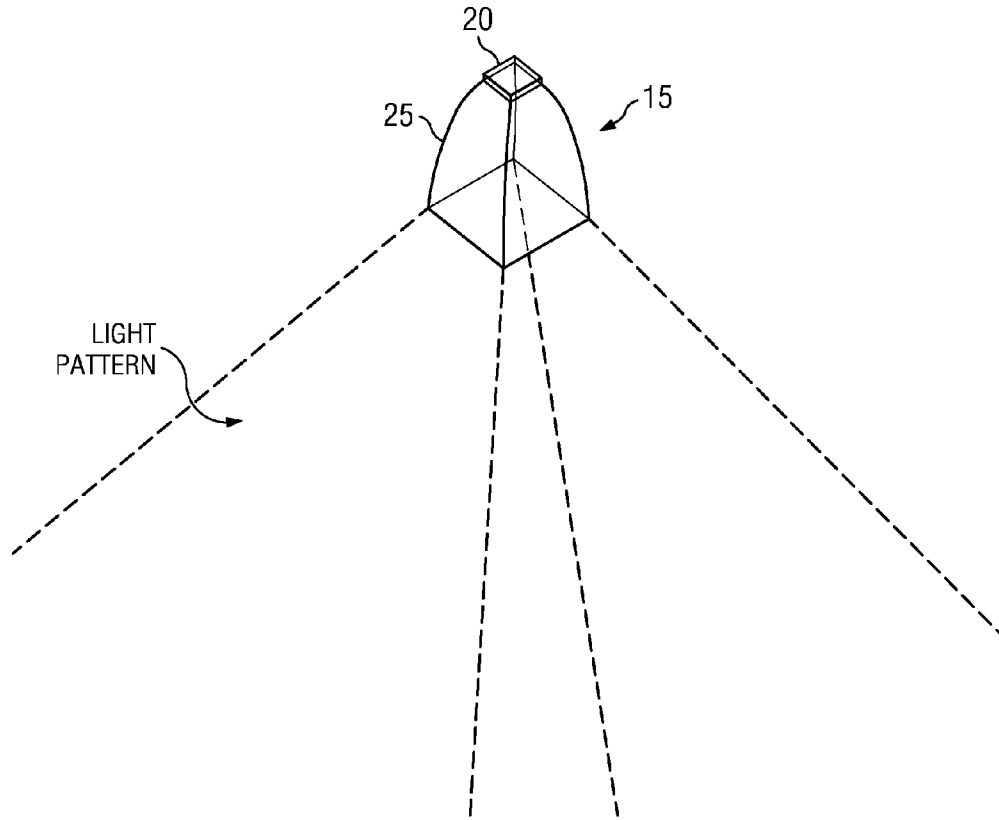


FIG. 1A

R	G
G	B

FIG. 3A

R	G
G	B
R	B

FIG. 3B

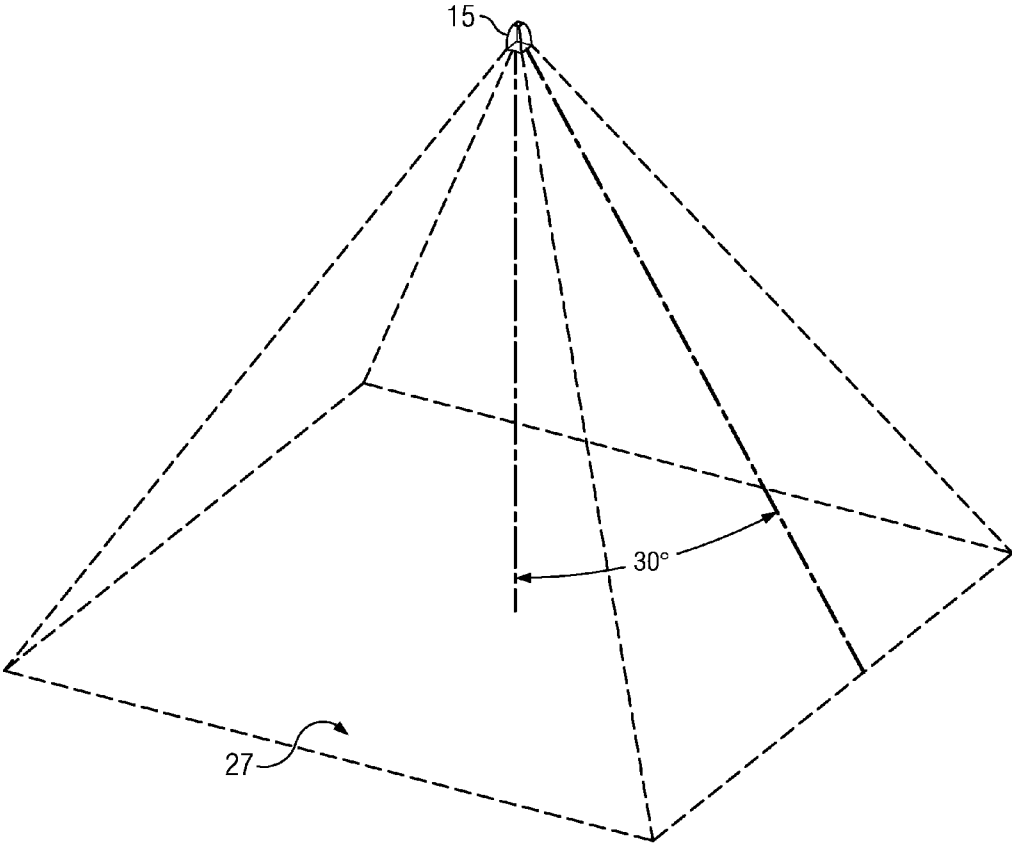
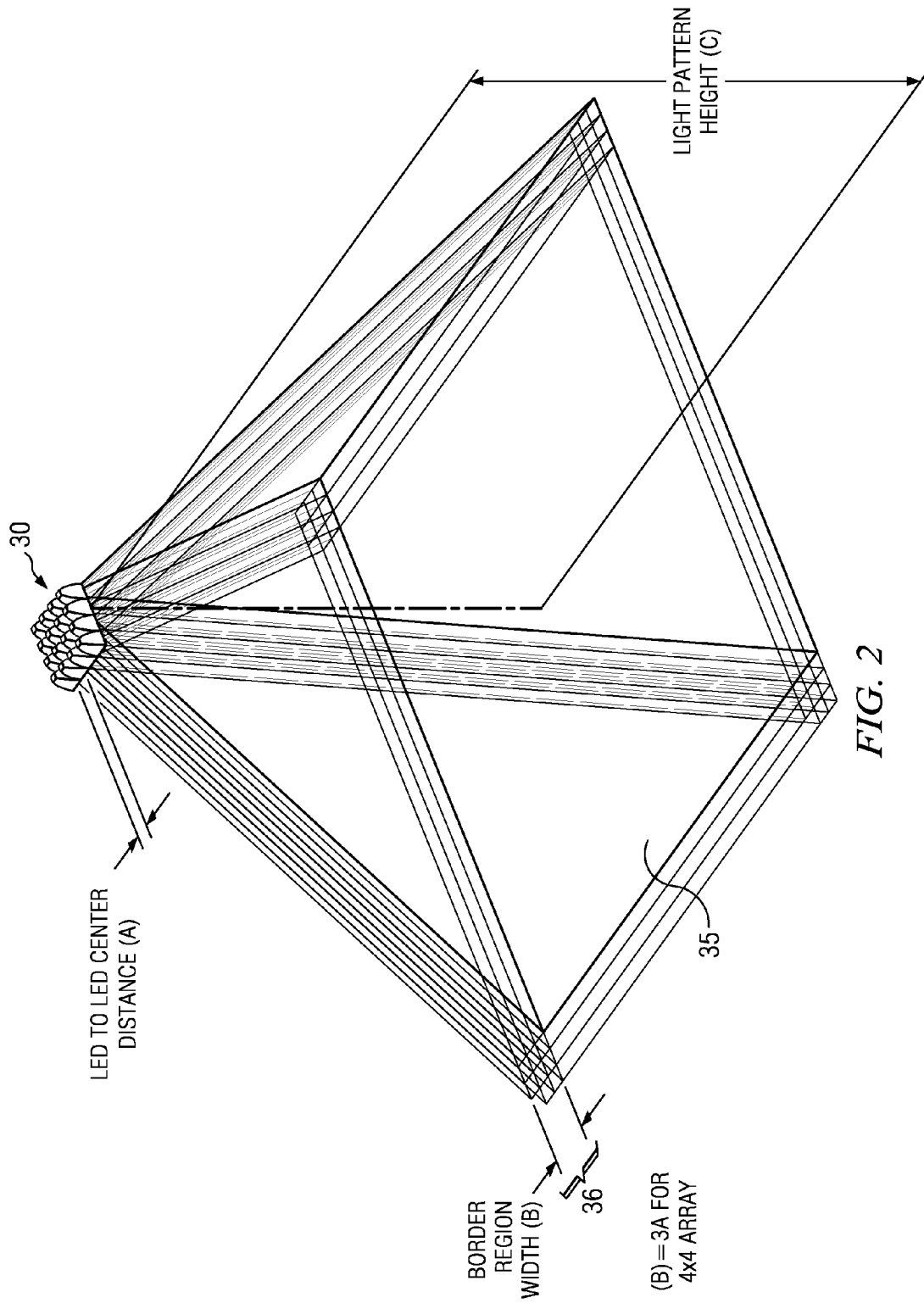


FIG. 1B



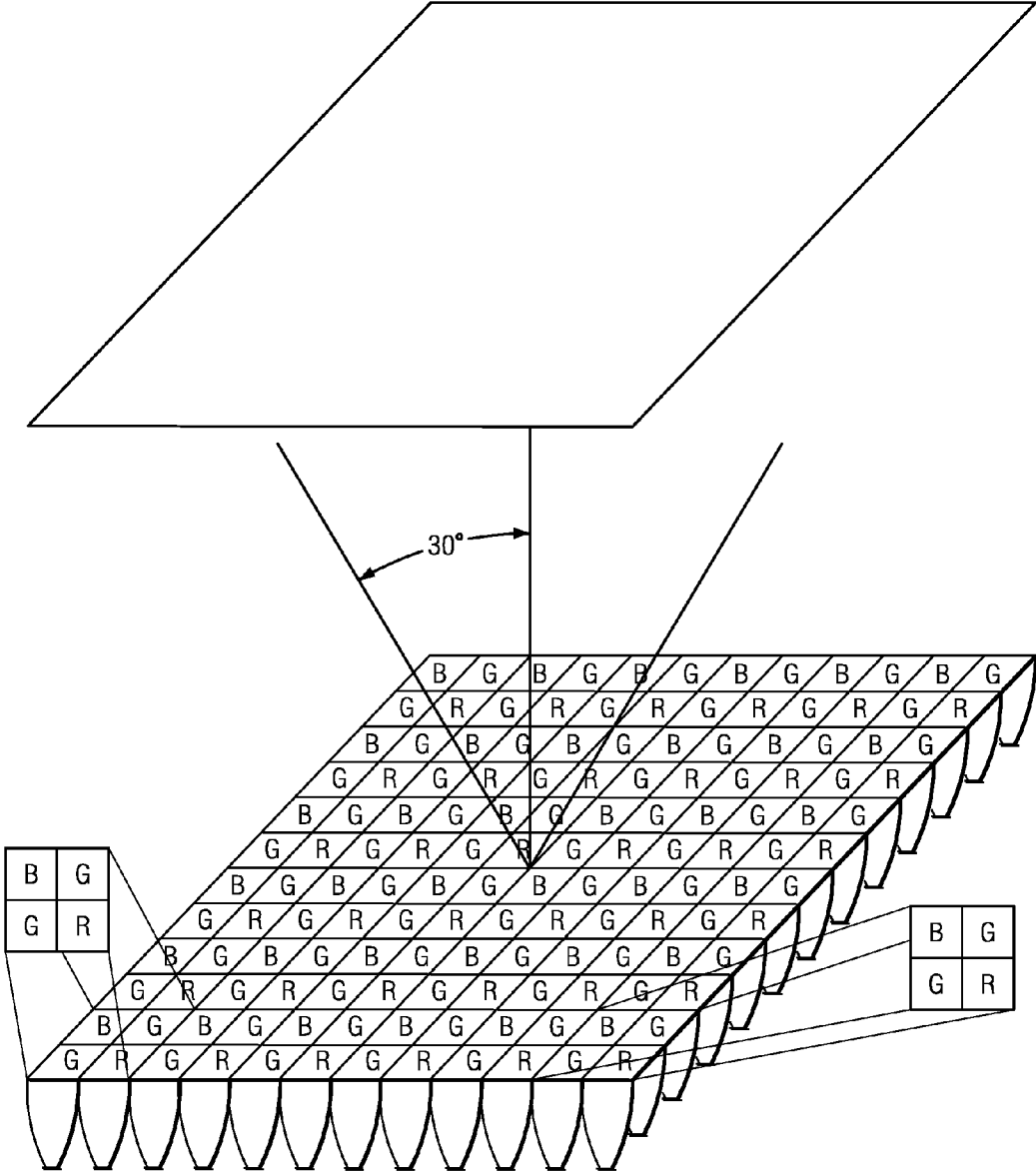


FIG. 3C

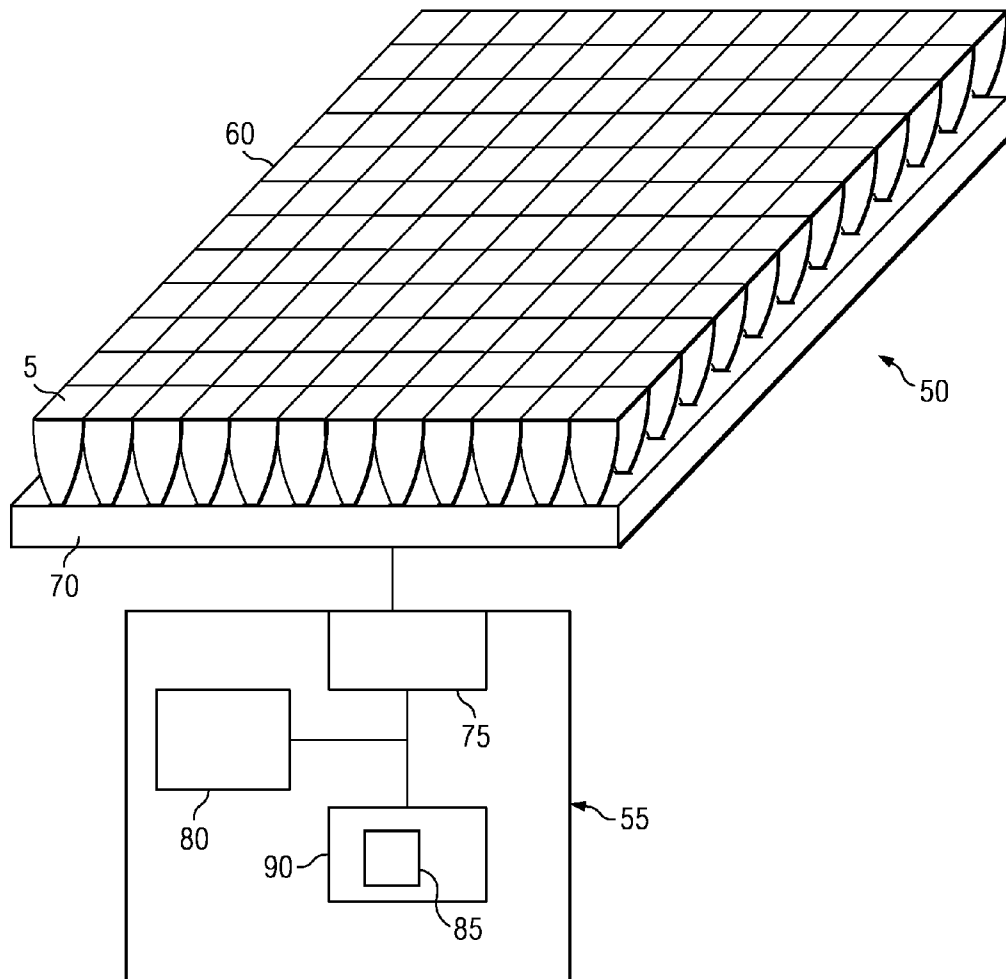


FIG. 4

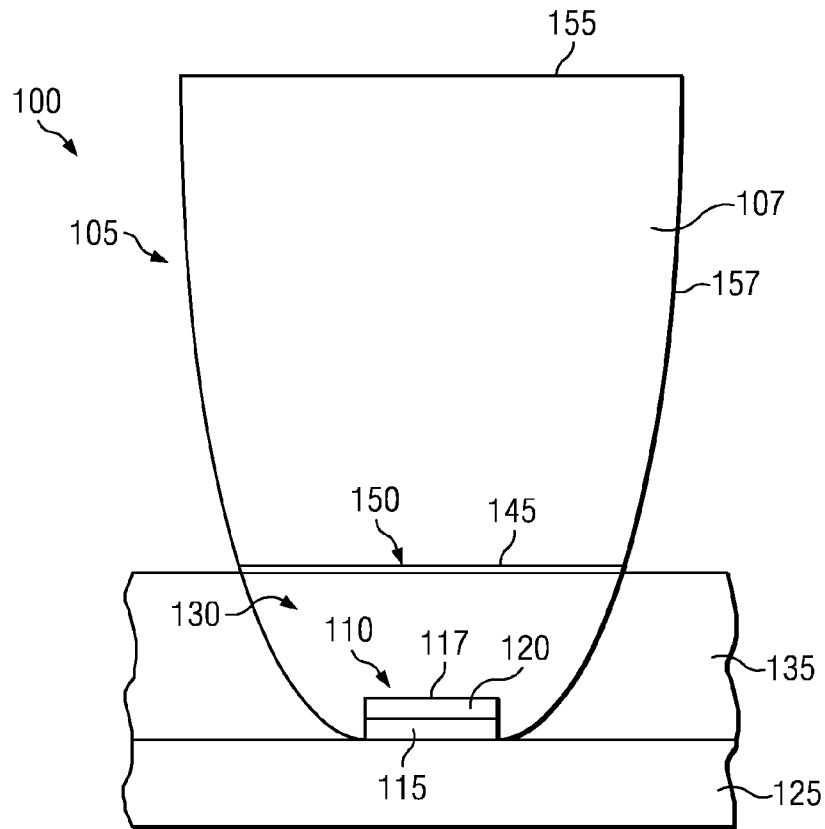


FIG. 5

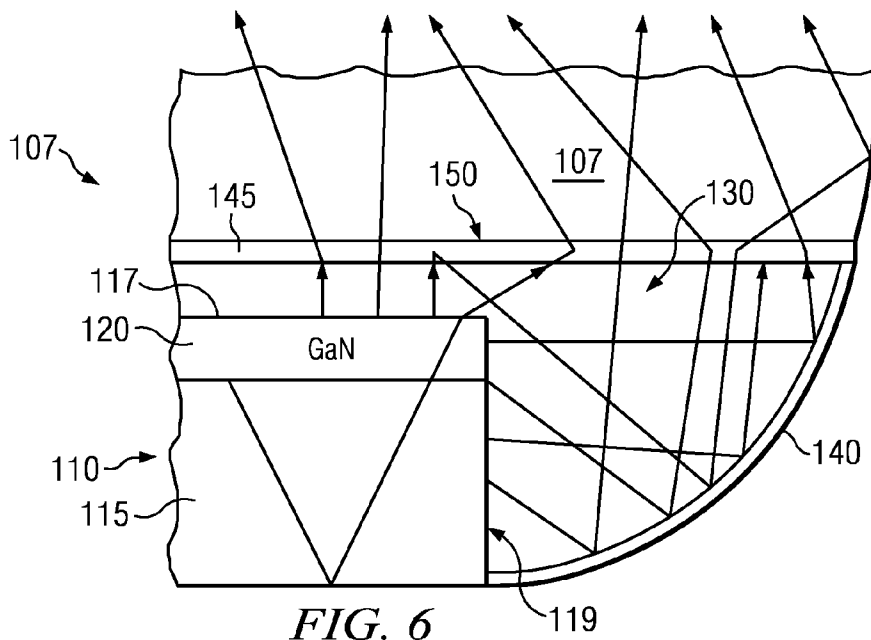


FIG. 6

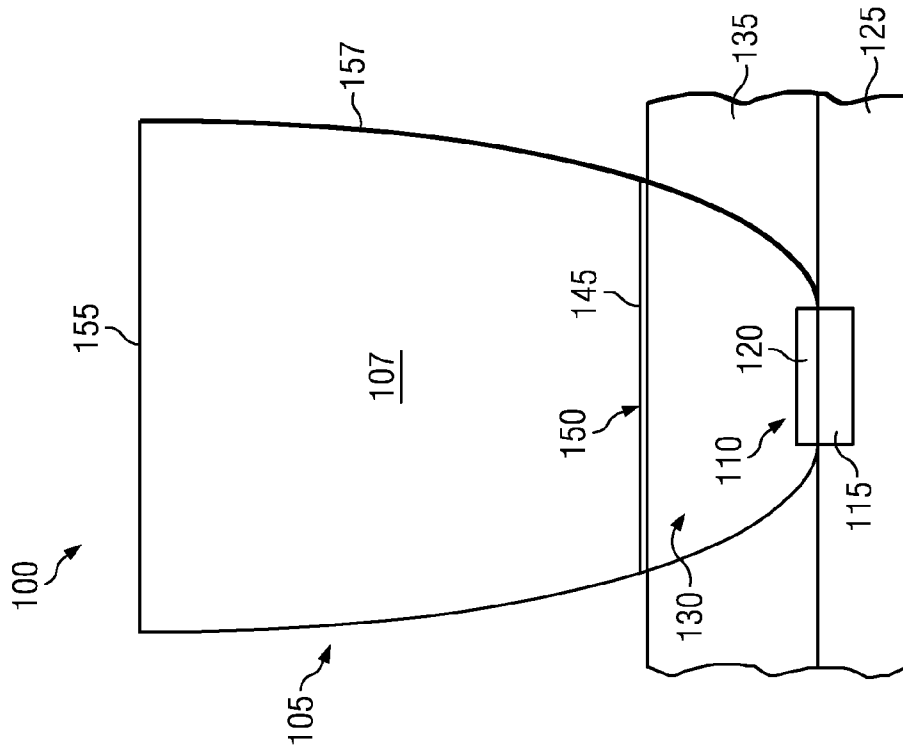


FIG. 7

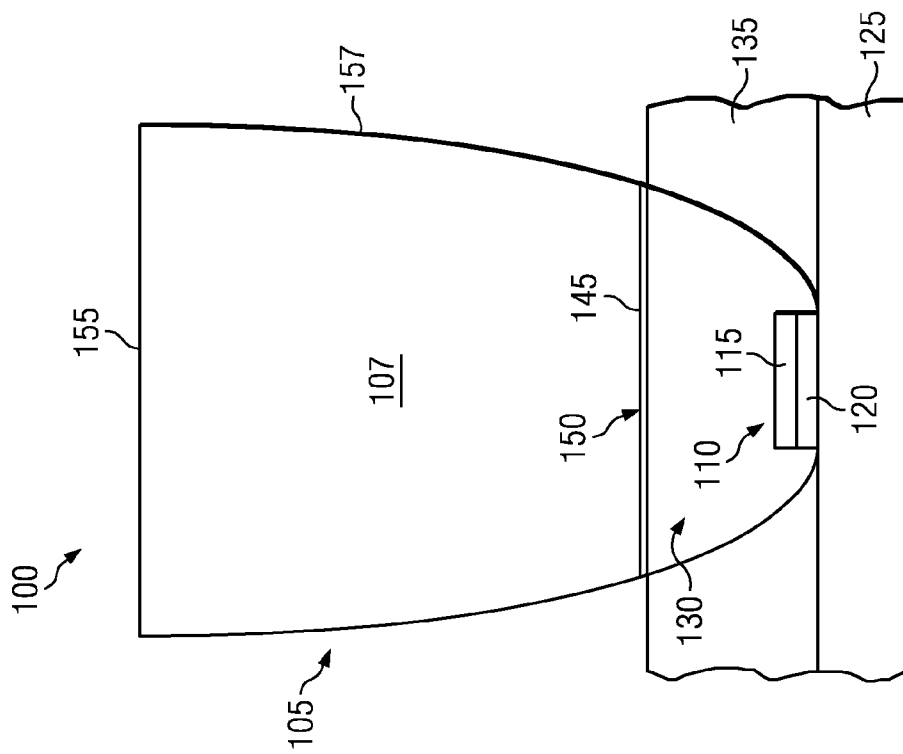


FIG. 8

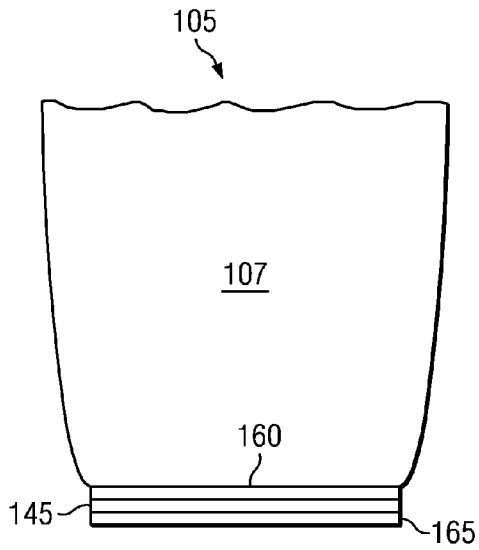


FIG. 9

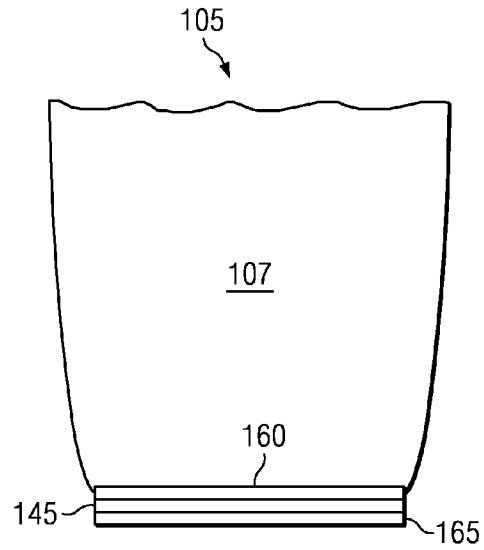


FIG. 10

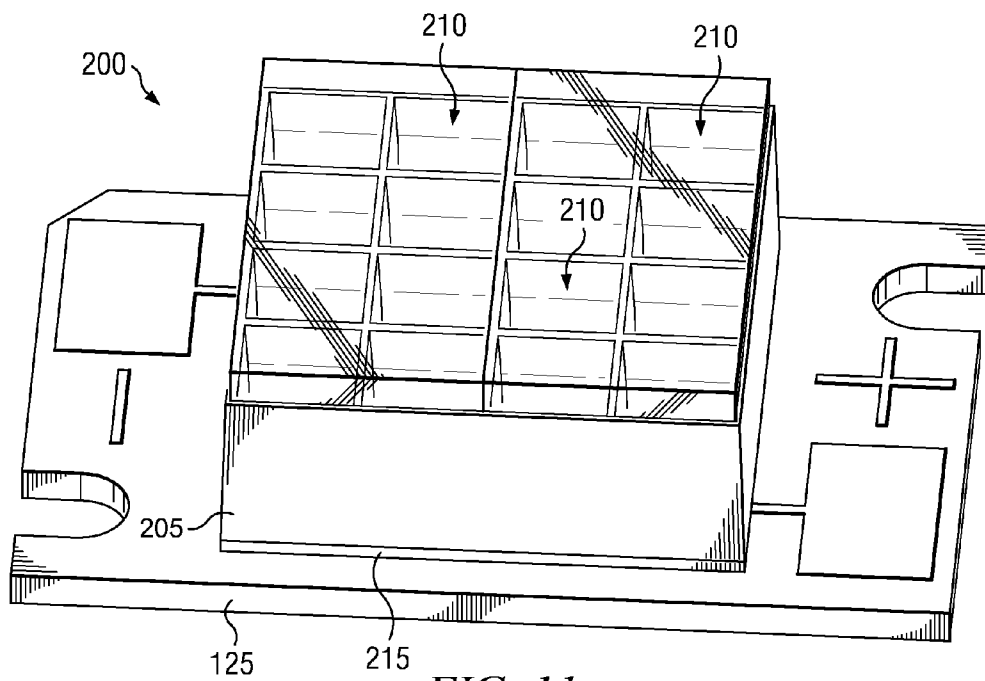


FIG. 11

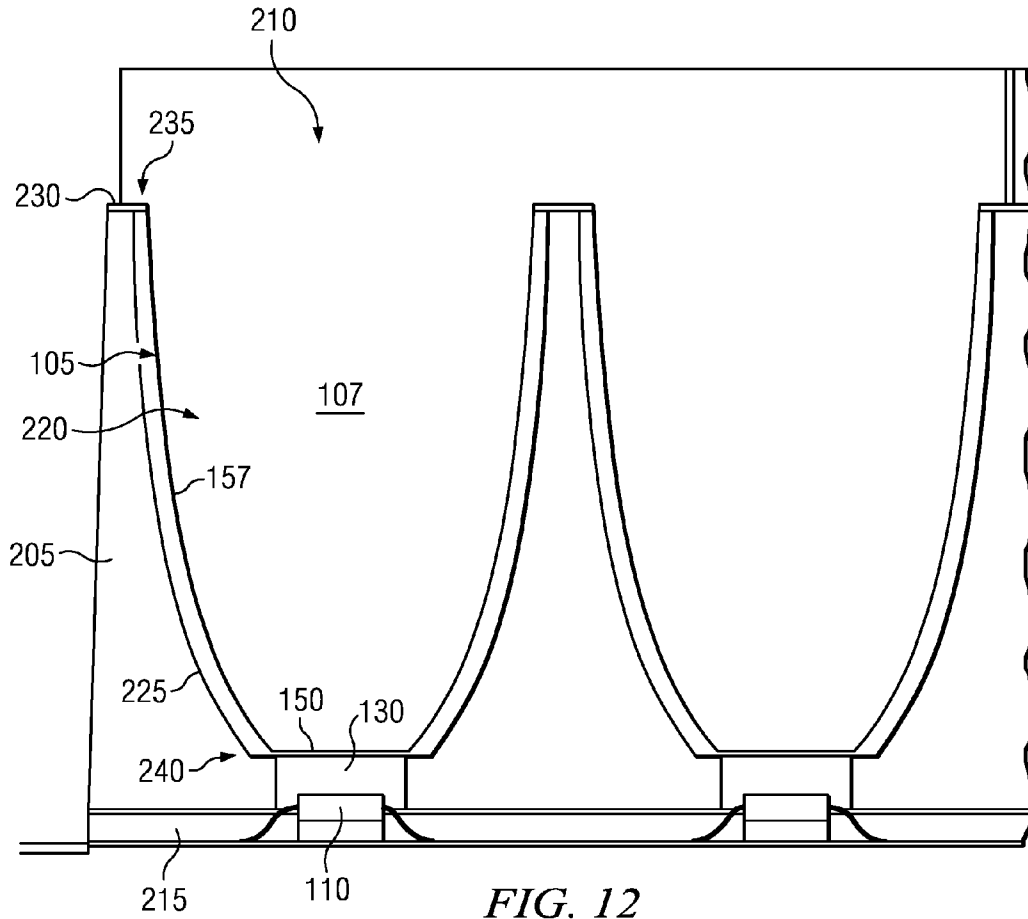


FIG. 12

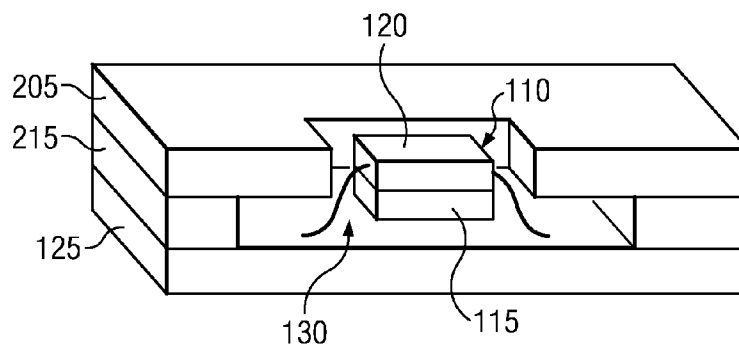
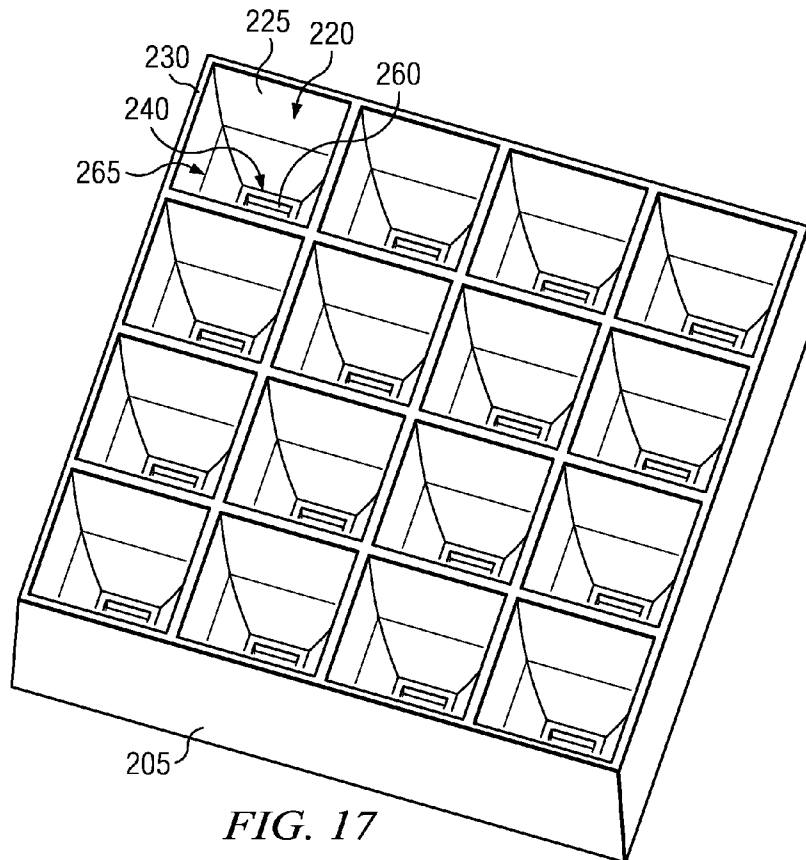
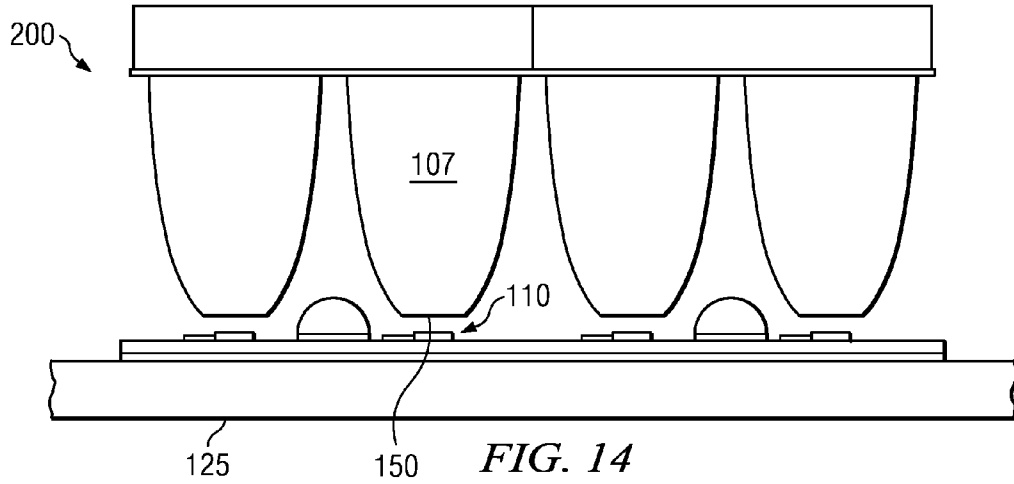


FIG. 13



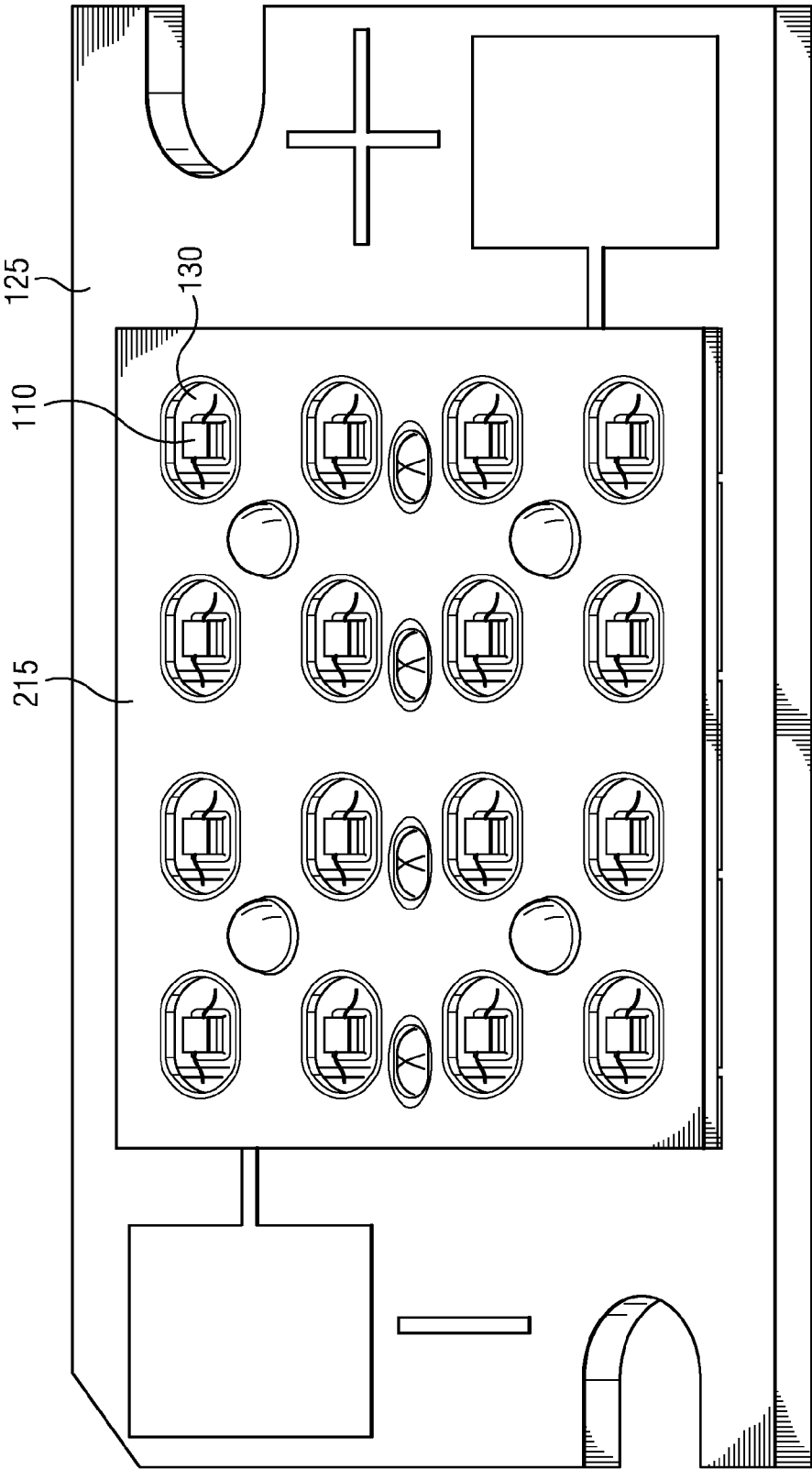


FIG. 15

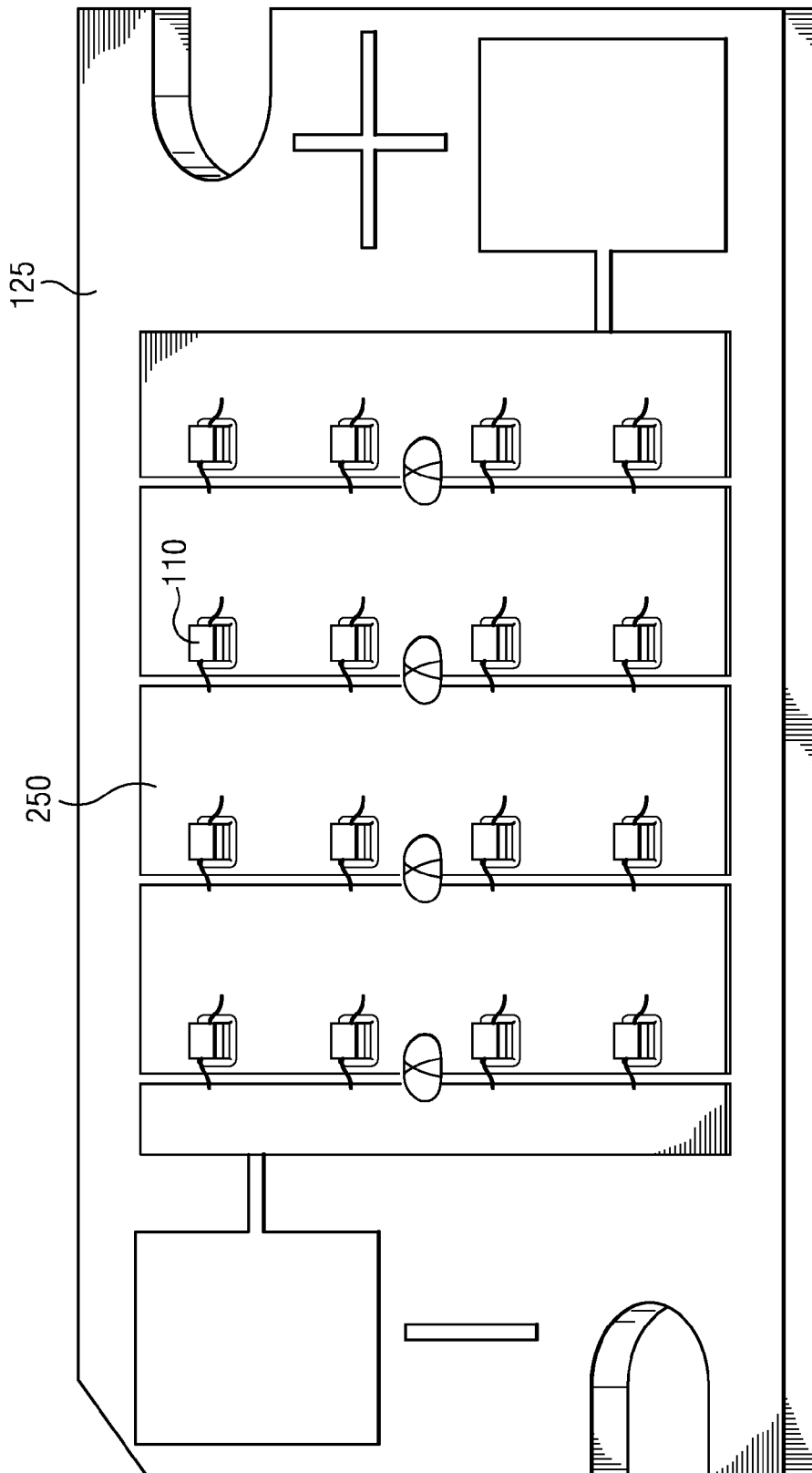


FIG. 16

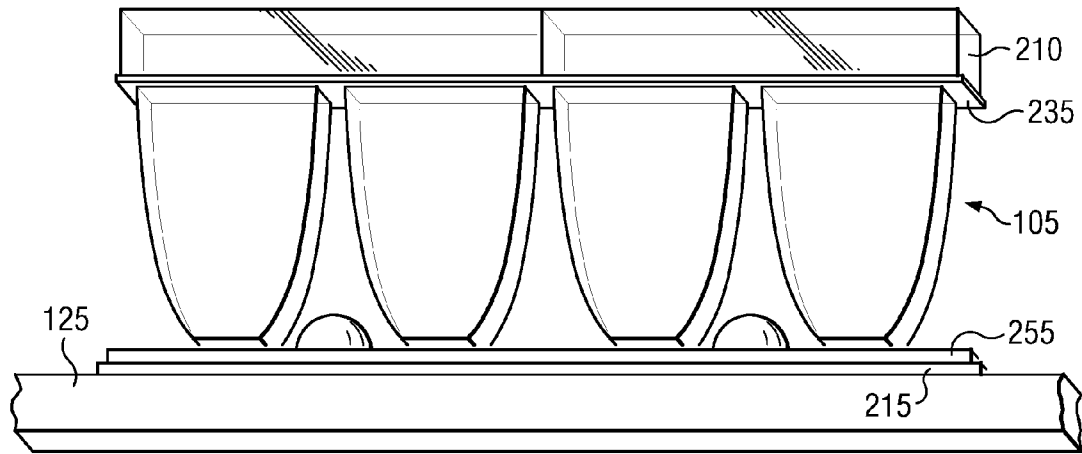


FIG. 18

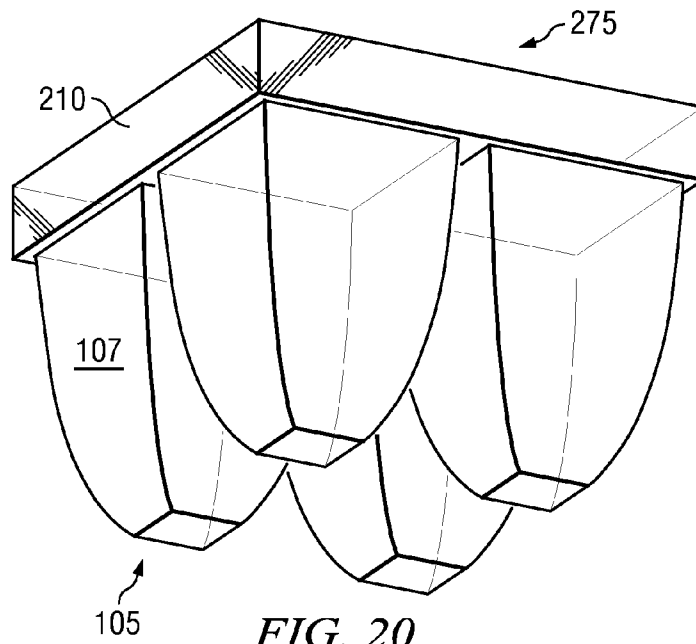


FIG. 20

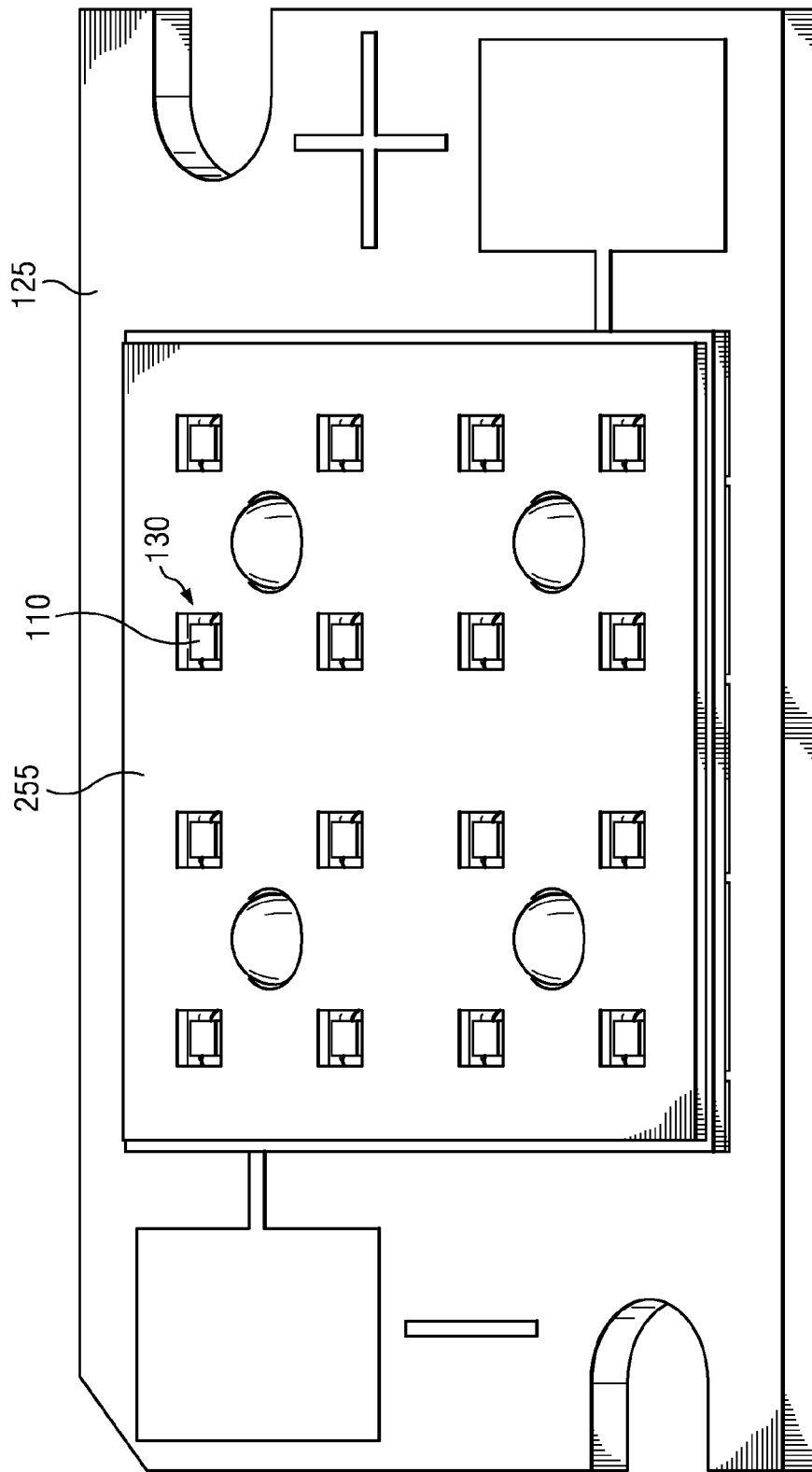


FIG. 19

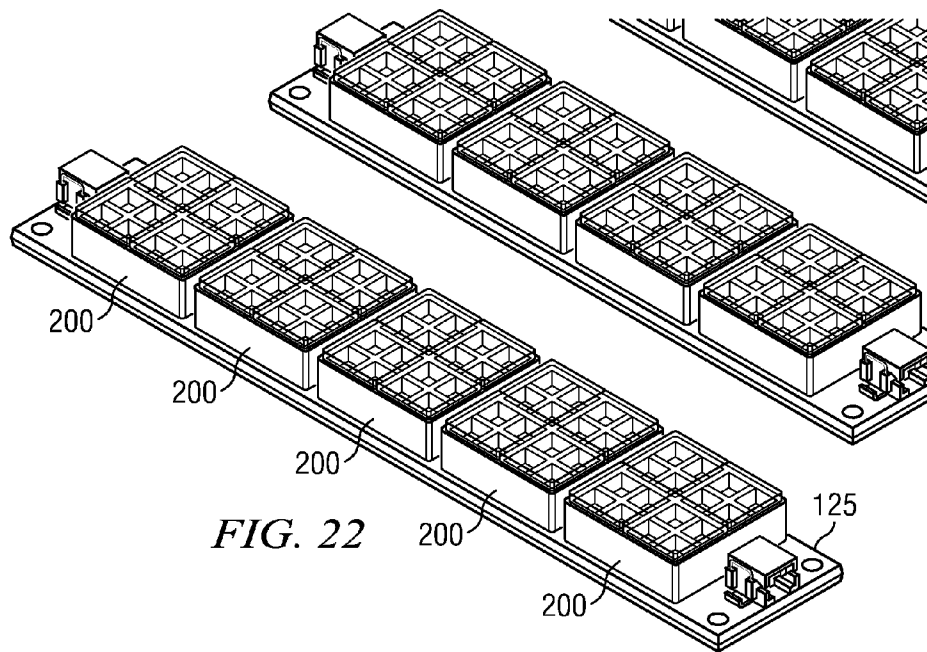
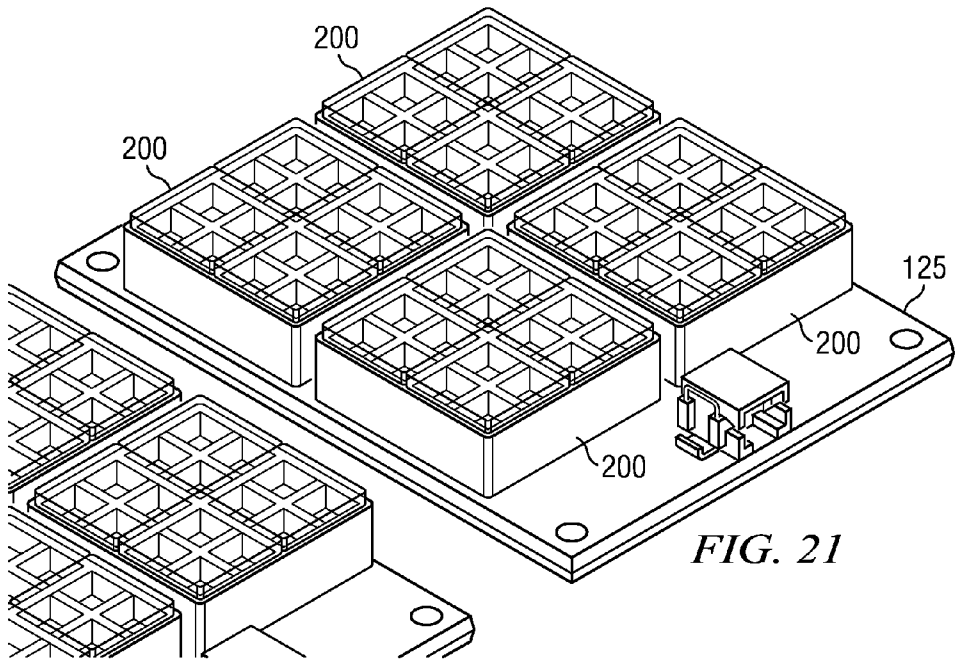
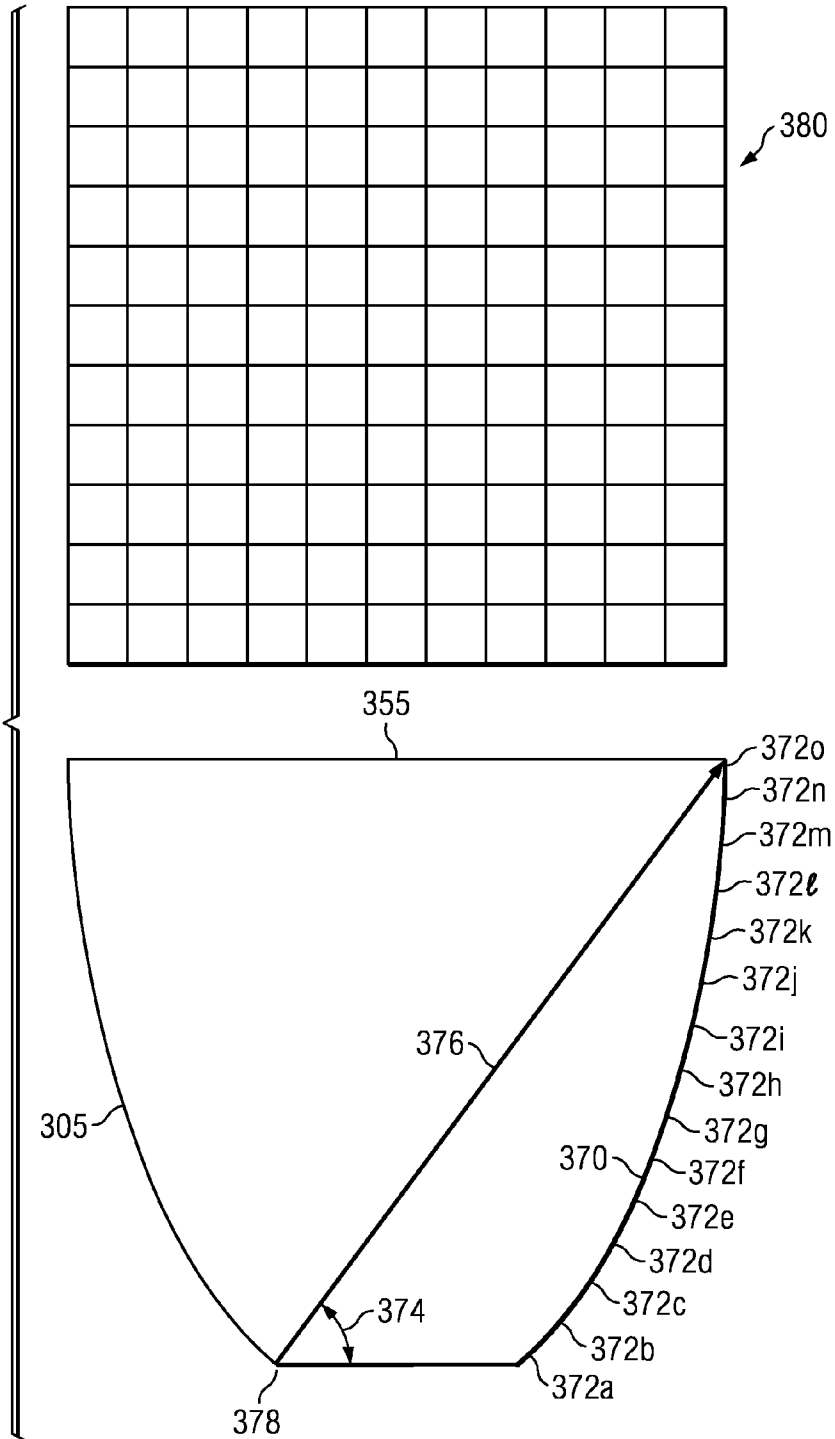
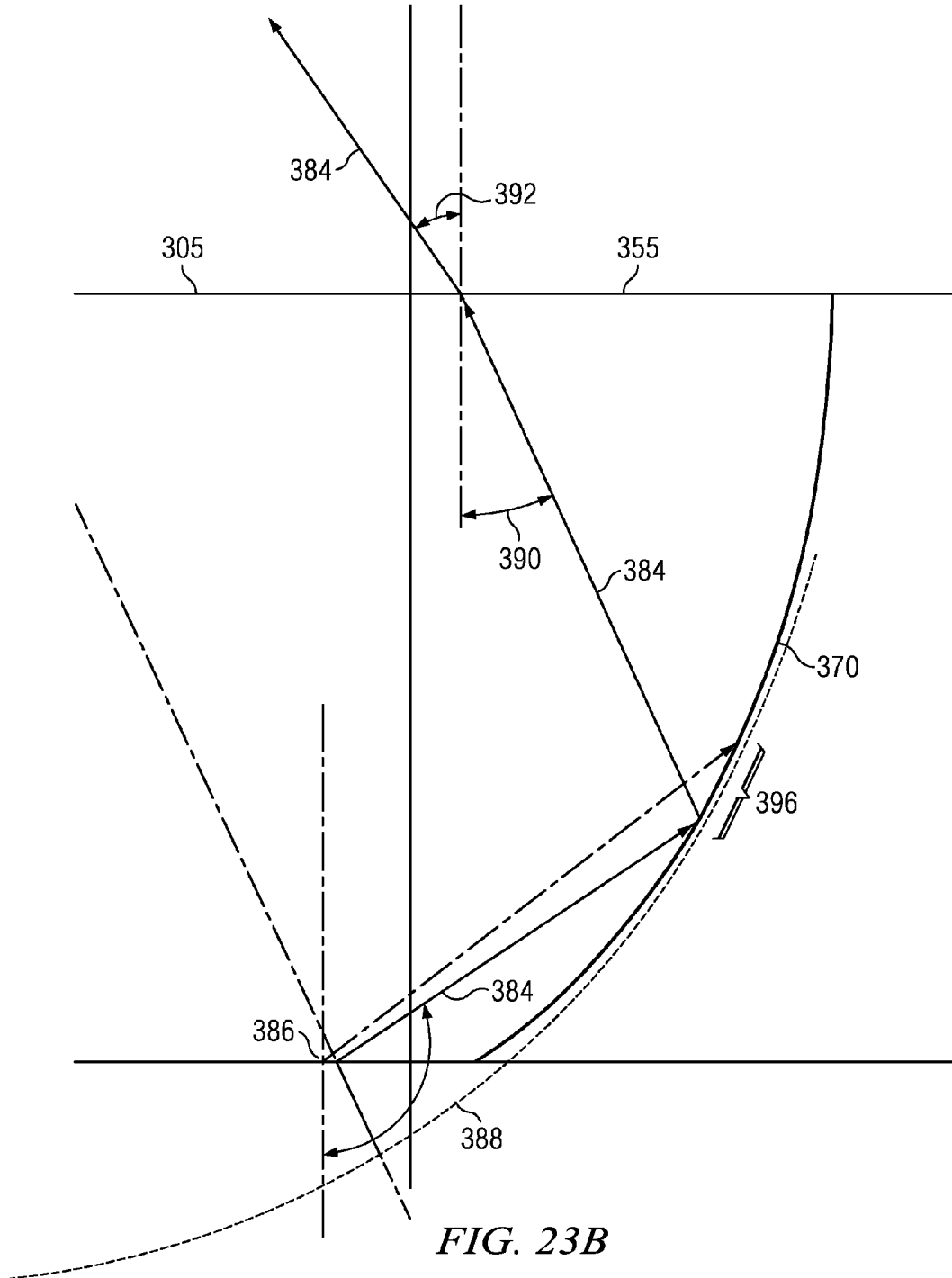


FIG. 23A





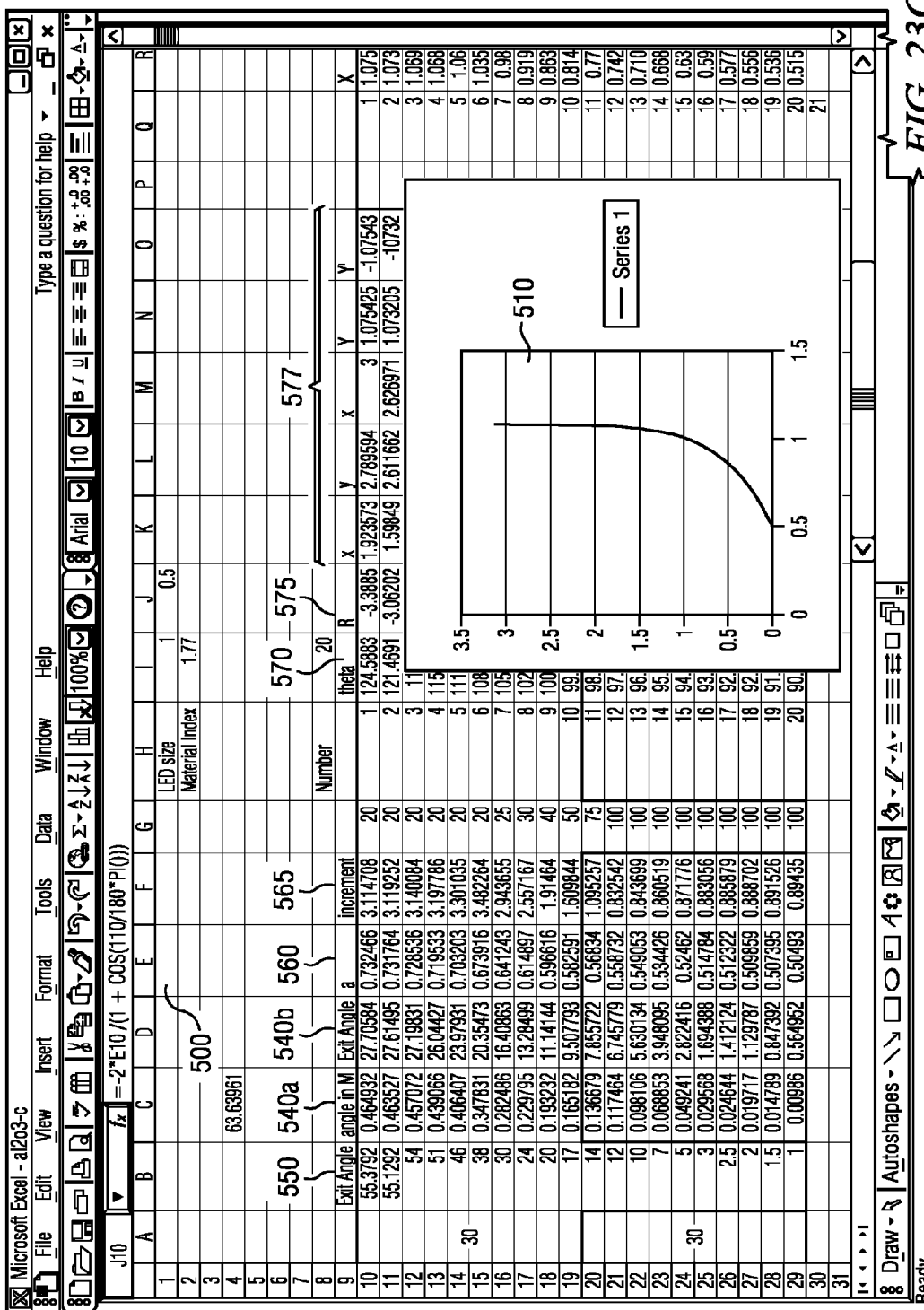


FIG. 23C

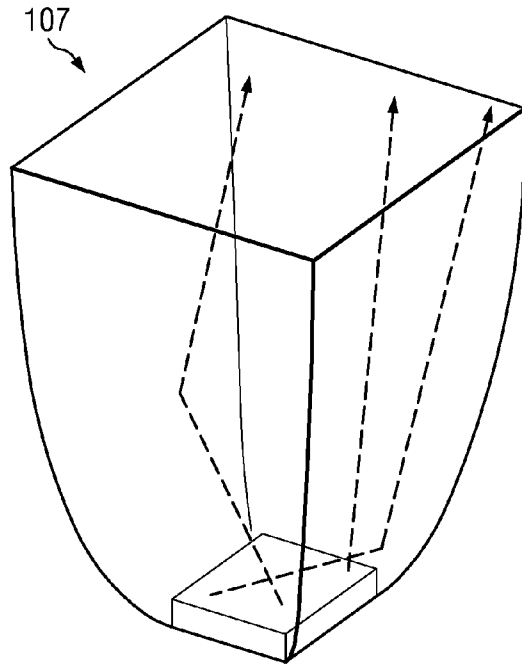


FIG. 23D

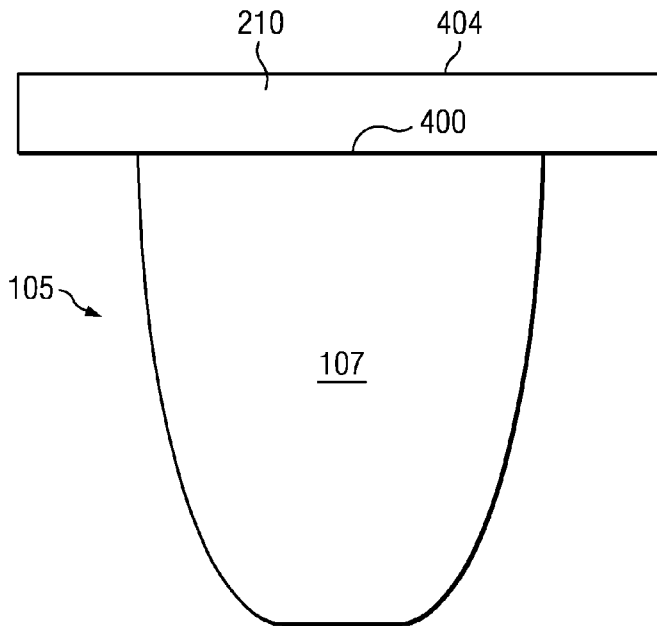


FIG. 24

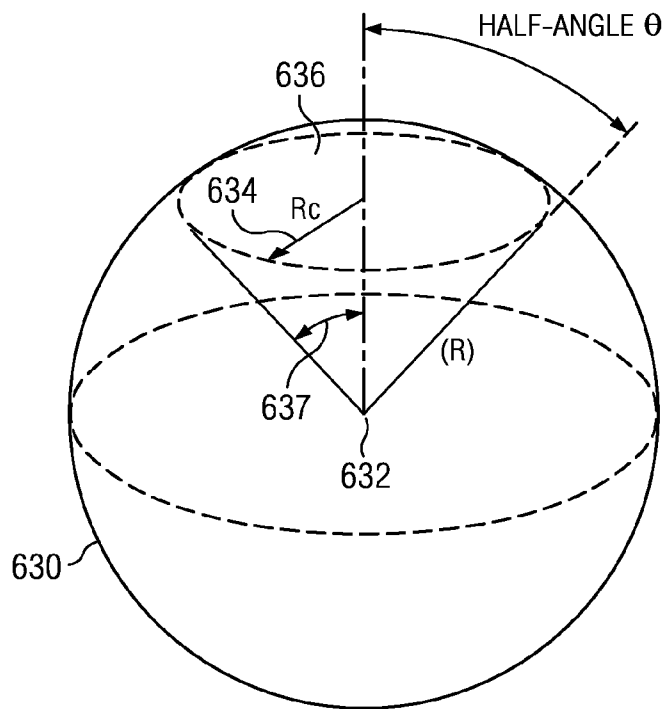


FIG. 25

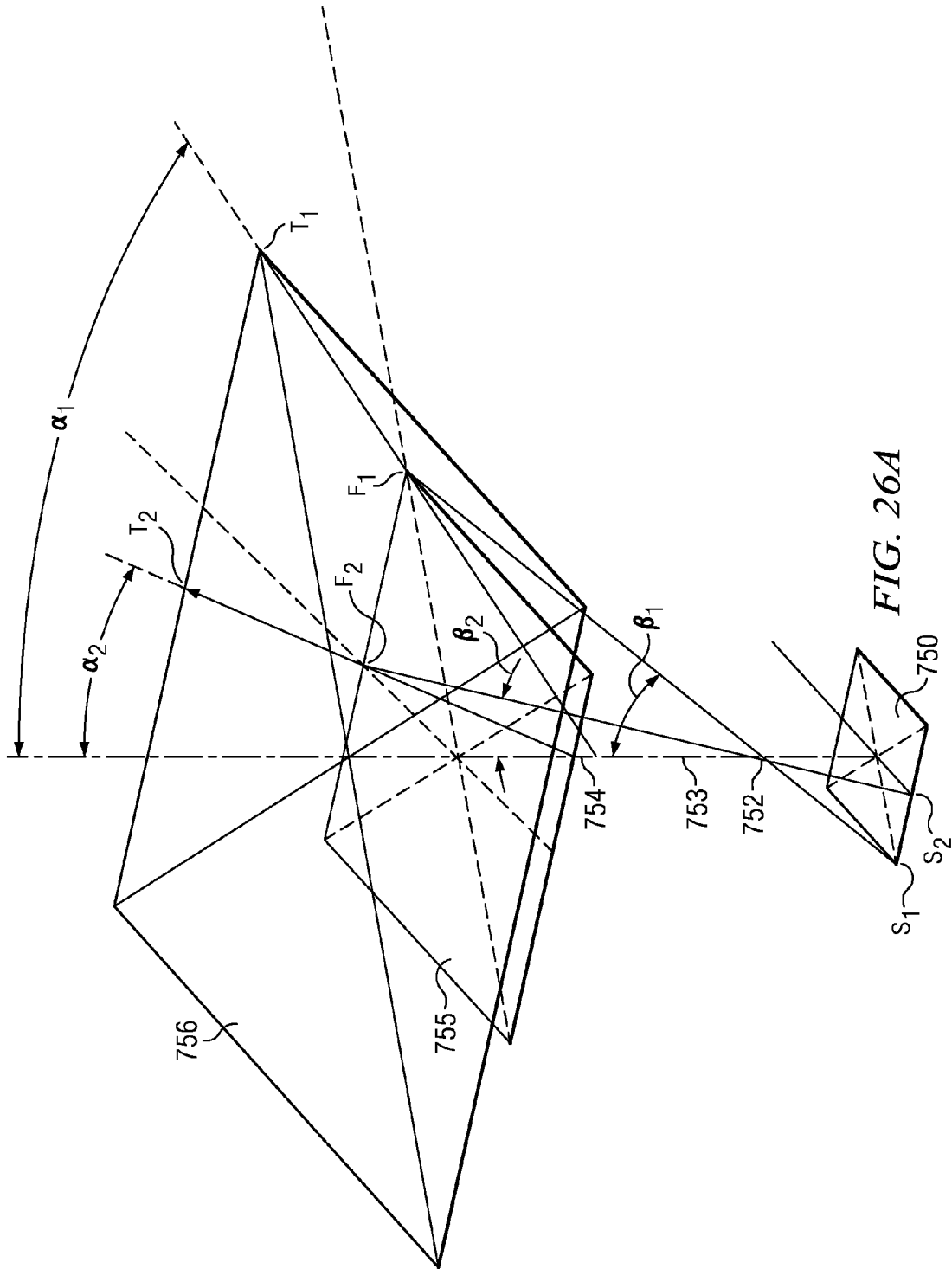


FIG. 26A

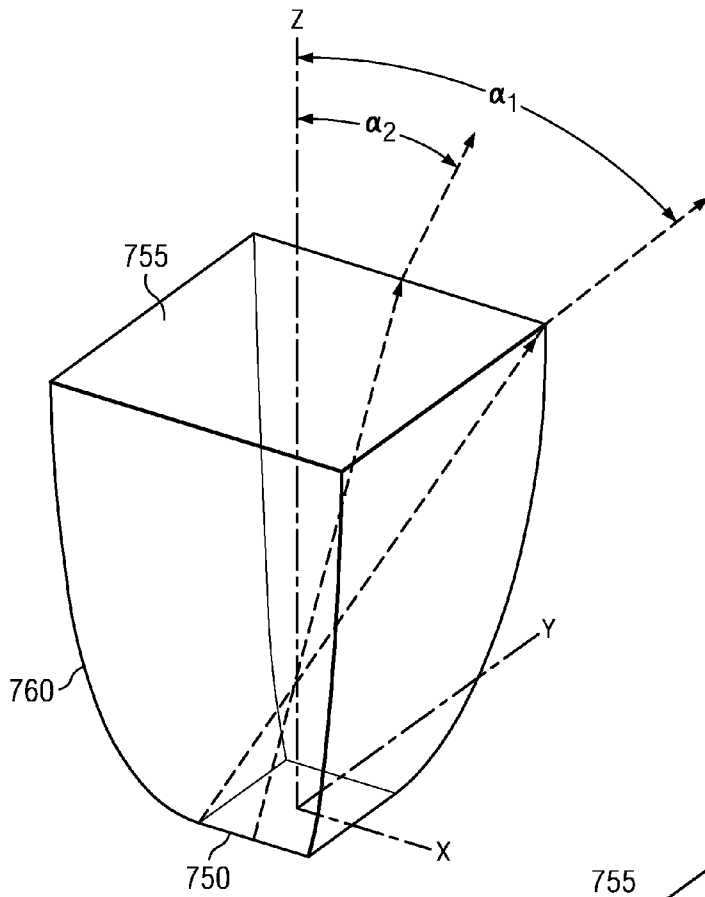


FIG. 26B

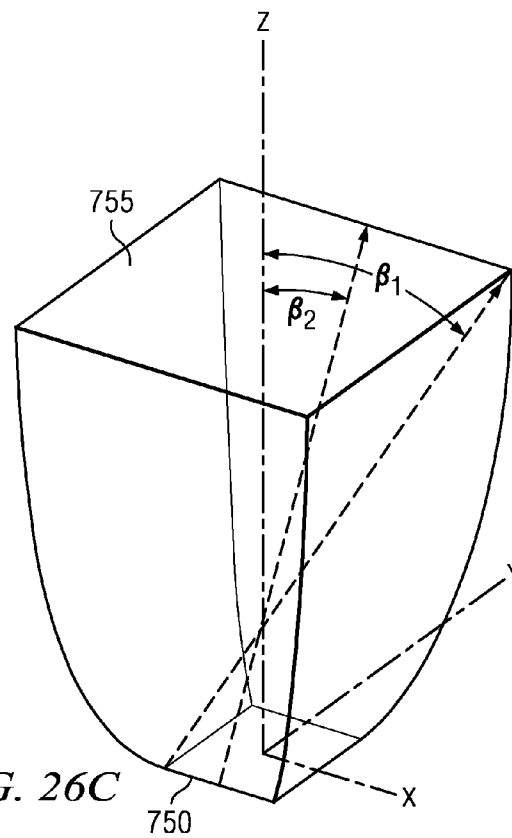


FIG. 26C

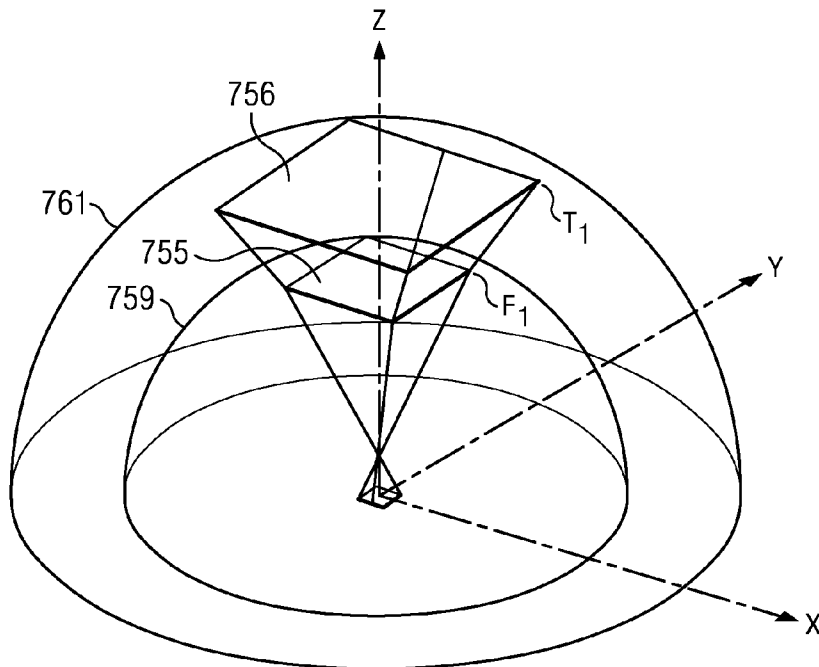


FIG. 26D

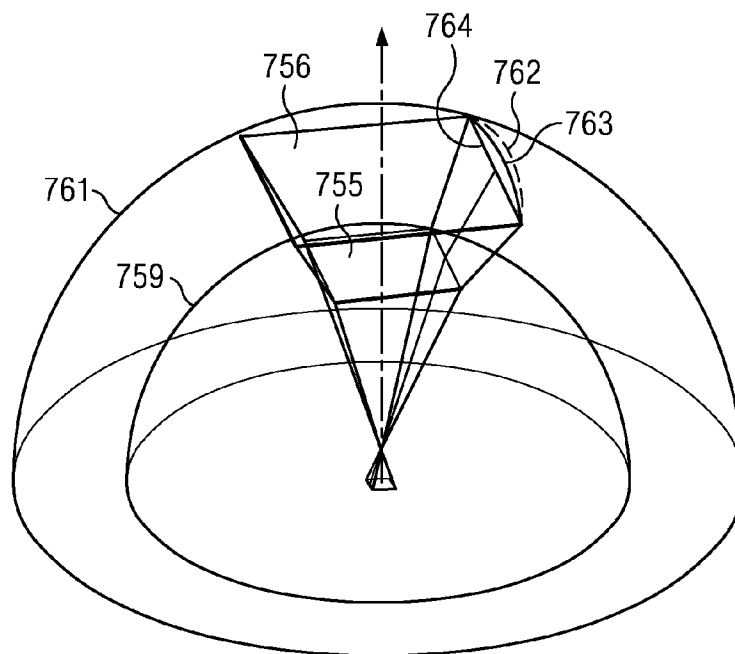


FIG. 26E

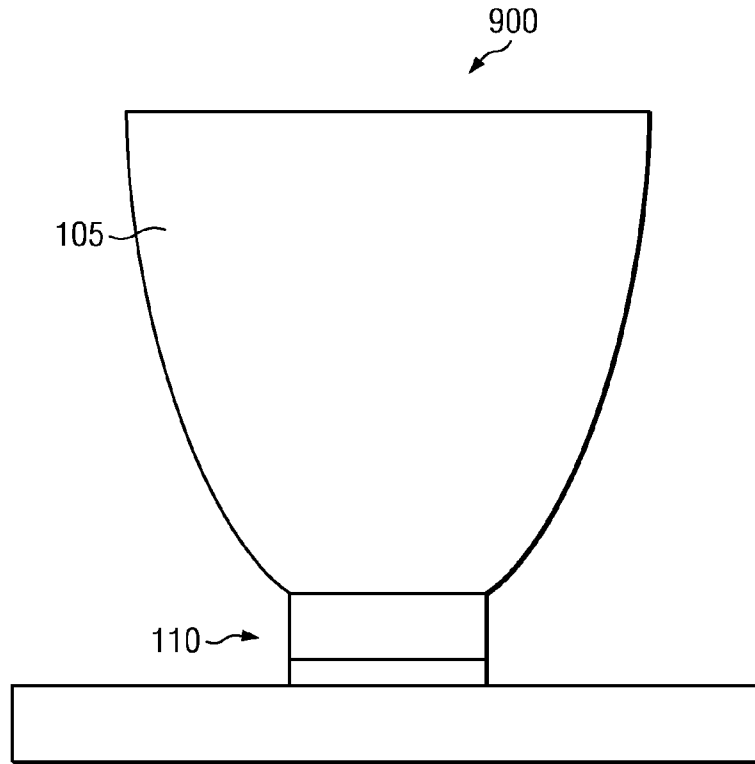


FIG. 27

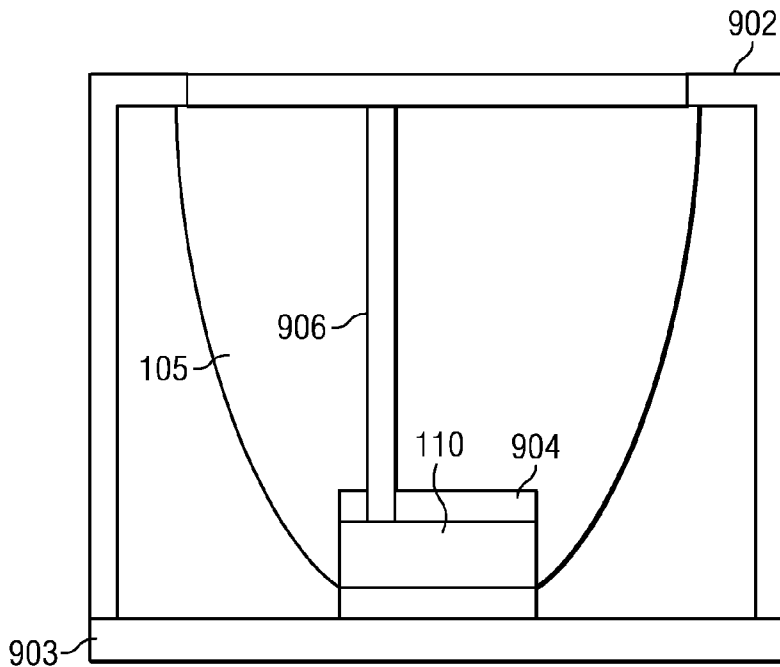


FIG. 28

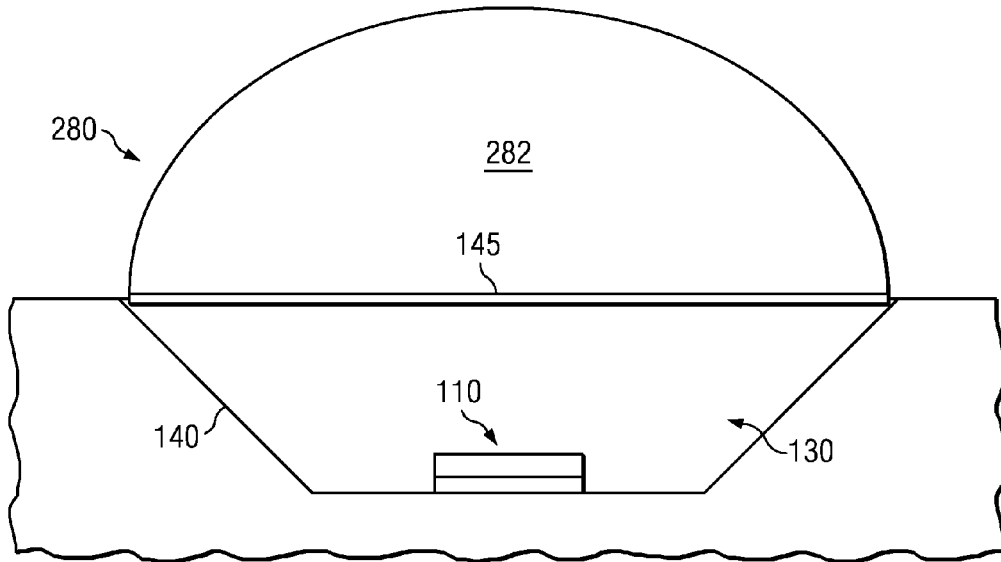


FIG. 29

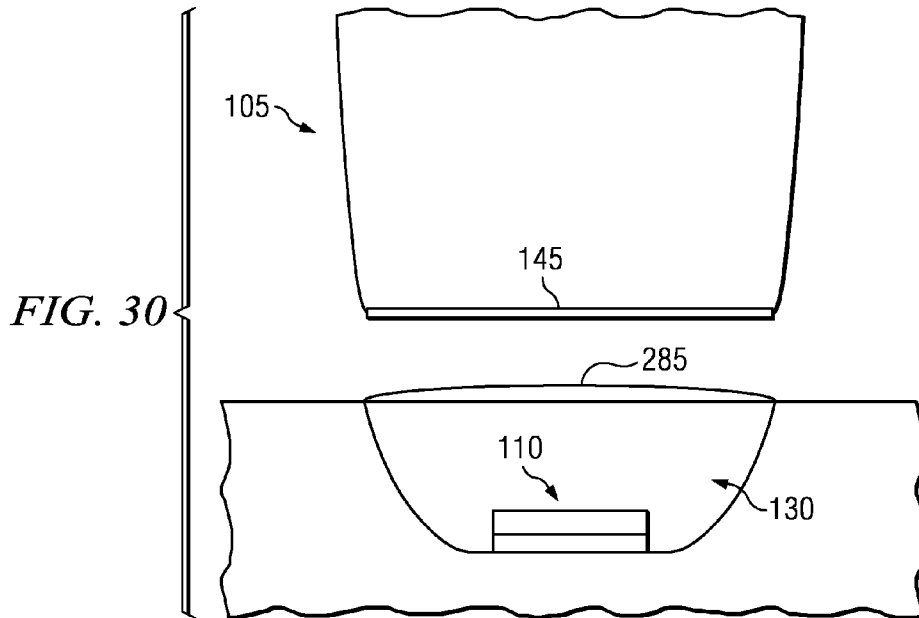
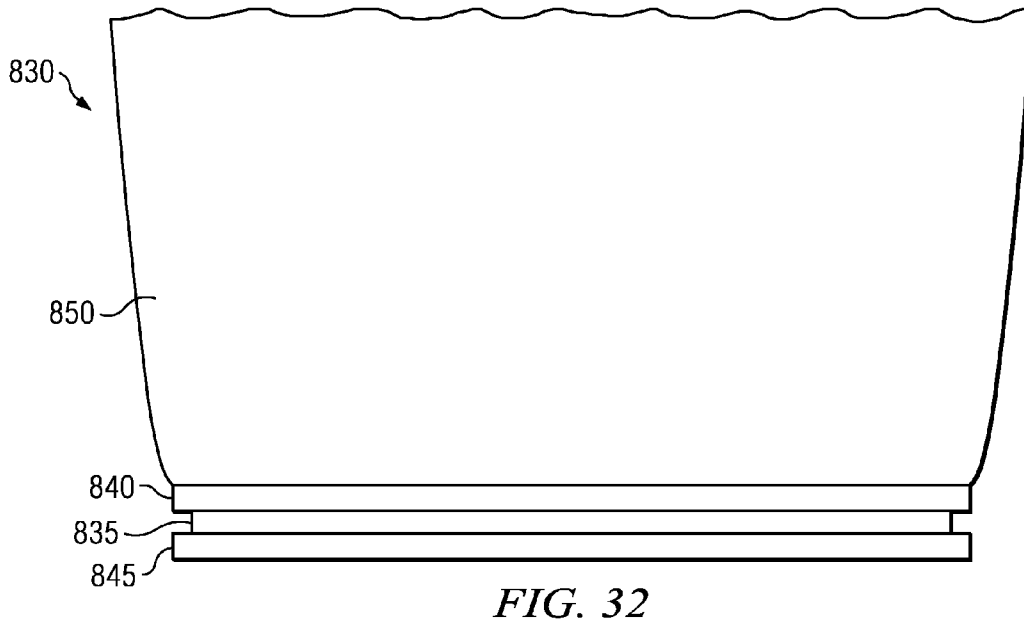
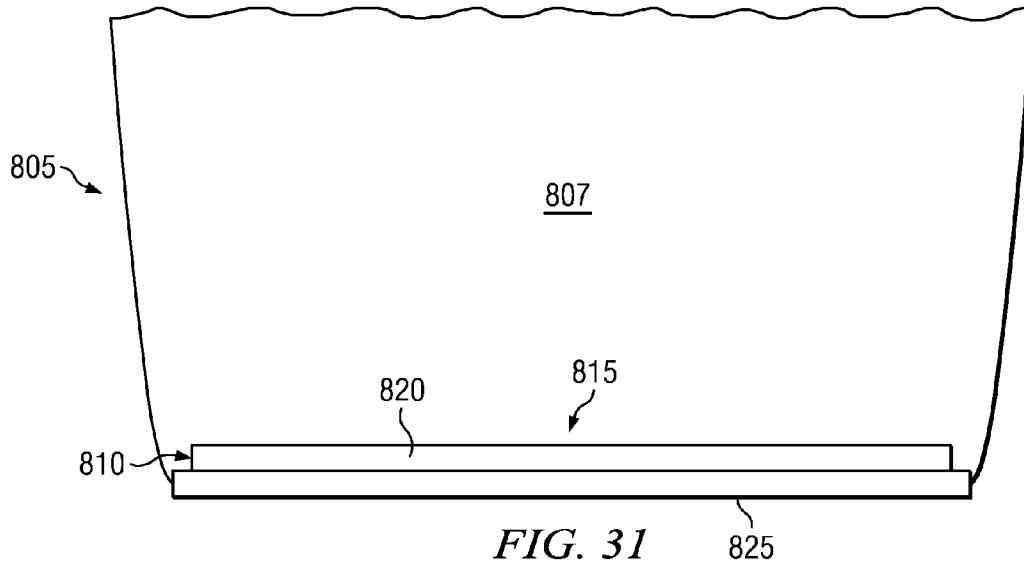


FIG. 30



SYSTEM AND METHOD FOR COLOR MIXING LENS ARRAY

RELATED APPLICATIONS

This application claims priority under 35 U.S.C. 119(e) to U.S. Provisional Patent Application No. 61/319,739 entitled "System and Method for Phosphor Coated Lens" by Ko et al., filed Mar. 31, 2010 and under 35 U.S.C. 120 as a continuation-in-part of U.S. patent application Ser. No. 12/646,570 entitled "System and Method for a Phosphor Coated Lens" by Ko et al., filed Dec. 23, 2009, which claims priority to U.S. Provisional Patent No. 61/235,491 entitled "Phosphor Coated Lens for Phosphor Converting Type White Light Engine" by Ko et al., filed Aug. 20, 2009. Each of the applications referenced above in this paragraph is hereby fully incorporated by reference herein.

TECHNICAL FIELD OF THE DISCLOSURE

The present disclosure relates generally to optical systems. More particularly, the present disclosure relates to using arrays of optical units to create highly uniform light distributions with selected color and/or color temperature.

BACKGROUND OF THE DISCLOSURE

Phosphors are lambertian emitters, emitting light in all directions. In traditional LED implementations, phosphor is applied on the LED chip, in a silicone matrix in proximity to the LED or to the outside of an LED dome or other LED packaging. A dome may be applied to an LED chip coated with phosphor to control the light beam angle (shape) from lambertian to a very narrow spot. Such devices range from hemispherical lenses to T-5 mm (T 1³/₄) aspheres. One conventional system for producing white light LEDs, for example, is constructed with pump blue/UV LED chips and a proximate mixture of phosphor in a binding matrix such as silicone. The term "goop in a cup" is used to describe LEDs with flat or very nearly flat phosphor and silicone mixture over a blue pump. In remote phosphor systems, phosphor is applied away from the chip on the outside of a dome or inside of a hemispherical shell to increase converting efficiency. However, an additional lens may be needed to control light beam shape. The GE VIO employs the remote phosphor solution.

Current systems suffer efficiency losses due to heating of the LED chip and the phosphor particles. Additionally, many current systems require secondary optics or additional lenses to shape the light emitted from a dome or phosphor coated LED into a desired beam angle. The coupling of a lens to a dome causes efficiency losses of approximately 10% or greater. Furthermore, current systems suffer conversion losses when multiple color phosphors are used due to cross-excitation. For instance, a red-emitting phosphor may absorb down-converted light from a green-emitting phosphor instead of the pump wavelength, thereby introducing further losses.

SUMMARY

Embodiments described herein provide optical systems that provide illumination patterns having a large area with uniform color. One embodiment of an optical system can include a set of optical units that each produces an illumination pattern with uniform color and intensity. The optical units are spaced so that the individual illumination patterns overlap to create an overall illumination pattern with an over-

lap area. The color in the overlap area results from blending of the colors emitted by the individual optical units.

The various optical units can be selected to have a high percent of light in beam. By way of example, but not limitation, optical units can be selected to achieve a high percent of light in beam (e.g., greater than 50%, greater than 60%, greater than 70% to greater than 90% and approaching 100%) in a range of beam angles (for example, but not limited to full beam (full width half maximum) angles of 10-120 degrees. Consequently, the overall array can also have a high percent of light in beam.

One embodiment of an optical system comprises an LED array with a set of lenses optically coupled to the LED array. Each lens can be configured to emit a high percent of light in a selected beam angle and the lenses can be spaced so that illumination patterns from adjacent lenses overlap to produce an overall illumination pattern. The overall illumination pattern can have an overlap area having a uniform color profile. The overall illumination pattern may have a non-uniform border area corresponding to the width of a row of lenses.

One embodiment of an optical unit can include an LED, a lens and phosphor disposed on the lens. The phosphors are disposed on the lens between the entrance face to the lens body and the LED so that light emitted from the LED will be incident on the phosphor and at least partially down converted before entering the lens body through the entrance face.

Optical units can be arranged in a packaged array. One embodiment of a packaged array comprises a submount, an array of LEDs mounted to the submount, a housing and a set of lenses. The LED is positioned in an LED cavity and the lens is positioned in a lens cavity so that the lens' entrance face is positioned proximate to an opening between the corresponding lens and LED cavities. A layer of phosphors can be disposed on each site between the entrance face and the corresponding LED so that light is down converted before entering the lens body. In one embodiment, the entrance face of each lens is positioned a distance from the corresponding LED so that there is a gap between the LED and the phosphors.

One advantage provided by embodiments described herein is that phosphor is removed from the LED chip. Heating of the LED chip is therefore reduced or prevented.

As another advantage, phosphor conversion efficiency can be increased due to the separation of phosphor from the LED active layer. Self-heating of phosphor due to the Stokes shift can be suppressed by heat dissipation through the system submount/heatsink.

As yet another advantage, higher phosphor conversion efficiency can be achieved due to the lowered flux density at the entrance of the lens, as compared to the flux density at the LED chip.

As another advantage of various embodiments, positioning phosphor at the entrance surface of a brightness conserving separate optical device can provide an optimal balance between thermal consideration and effective phosphor package efficiencies.

As yet another advantage, light beam pattern control, color mixing and color conversion can be achieved at the same optical device.

Embodiments can provide another advantage by providing a uniform spatial distribution at far field using a brightness conserving lens, making it possible for the underlying optical system to conserve the etendue of the source. Embodiments of described herein provide another advantage by allowing for near and/or far field color and spatial uniformity or for near and/or far field tailored color distribution and spatial distribution.

BRIEF DESCRIPTION OF THE DRAWINGS

A more complete understanding of the embodiments and the advantages thereof may be acquired by referring to the following description, taken in conjunction with the accompanying drawings in which like reference numbers indicate like features and wherein:

FIGS. 1A and 1B are diagrammatic representations showing an optical unit with a 30 degree half-angle;

FIG. 2 is a diagrammatic representation of an array of optical units and a resulting light pattern;

FIGS. 3A-3C are diagrammatic representations of arrangements of color light sources;

FIG. 4 is a diagrammatic representation of an embodiment of an array of optical units and a controller;

FIGS. 5-8 are diagrammatic representations of embodiments of optical systems;

FIGS. 9-10 are diagrammatic representations of embodiments of phosphor coated lenses;

FIG. 11 is a diagrammatic representation of one embodiment of a packaged array;

FIG. 12 is a diagrammatic representation of a cross-section of an embodiment of a packaged array;

FIG. 13 is a diagrammatic representation of an LED in a cavity;

FIG. 14 is a diagrammatic representation of a portion of an embodiment of a packaged array;

FIG. 15 is a diagrammatic representation of another portion of an embodiment of a packaged array;

FIG. 16 is a diagrammatic representation of an array of LEDs mounted on a submount;

FIG. 17 is a diagrammatic representation of an embodiment of a portion of a housing of a packaged array;

FIG. 18 is a diagrammatic representation of a portion of another embodiment of a packaged array;

FIG. 19 is a diagrammatic representation of another portion of the embodiment of the packaged array;

FIG. 20 is a diagrammatic representation of an embodiment of a lens assembly;

FIG. 21 is a diagrammatic representation of one embodiment of a multiple packaged arrays;

FIG. 22 is a diagrammatic representation of another embodiment of multiple packaged arrays;

FIG. 23A is a diagrammatic representation of a cross-section of a model of a lens for determining sidewall shapes;

FIG. 23B is a diagrammatic representation of an embodiment of a portion of a sidewall of a lens;

FIG. 23C is a diagrammatic representation illustrating that the facets for a sidewall can be defined using a computer program;

FIG. 23D is a diagrammatic representation of one embodiment of a lens with sidewalls shaped to cause TIR so that rays are reflected from the sidewalls to the exit surface;

FIG. 24 is a diagrammatic representation illustrating one embodiment of an exit plane;

FIG. 25 is a diagrammatic representation of one embodiment for estimating effective solid angle;

FIGS. 26A-26E are diagrammatic representations describing another embodiment for estimating effective solid angle;

FIG. 27 is a diagrammatic representation of an embodiment of an optical system;

FIG. 28 is a diagrammatic representation of another embodiment of an optical system;

FIG. 29 is a diagrammatic representation of another embodiment of a lens with phosphor;

FIG. 30 is a diagrammatic representation of yet another embodiment of a lens with phosphor;

FIG. 31 is a diagrammatic representation of one embodiment of a lens with phosphor; and

FIG. 32 is a diagrammatic representation of another embodiment of a lens with phosphor.

DETAILED DESCRIPTION

Embodiments and various features and advantageous details thereof are explained more fully with reference to the exemplary, and therefore non-limiting, examples illustrated in the accompanying drawings and detailed in the following description. Descriptions of known starting materials and processes may be omitted so as not to unnecessarily obscure the disclosure in detail. It should be understood, however, that the detailed description and the specific examples, while indicating the preferred embodiments, are given by way of illustration only and not by way of limitation. Various substitutions, modifications, additions and/or rearrangements within the spirit and/or scope of the underlying inventive concept will become apparent to those skilled in the art from this disclosure.

As used herein, the terms “comprises,” “comprising,” “includes,” “including,” “has,” “having” or any other variation thereof, are intended to cover a non-exclusive inclusion. For example, a process, product, article, or apparatus that comprises a list of elements is not necessarily limited only those elements but may include other elements not expressly listed or inherent to such process, product, article, or apparatus. Further, unless expressly stated to the contrary, “or” refers to an inclusive or and not to an exclusive or. For example, a condition A or B is satisfied by any one of the following: A is true (or present) and B is false (or not present), A is false (or not present) and B is true (or present), and both A and B are true (or present).

Additionally, any examples or illustrations given herein are not to be regarded in any way as restrictions on, limits to, or express definitions of, any term or terms with which they are utilized. Instead these examples or illustrations are to be regarded as being described with respect to one particular embodiment and as illustrative only. Those of ordinary skill in the art will appreciate that any term or terms with which these examples or illustrations are utilized encompass other embodiments as well as implementations and adaptations thereof which may or may not be given therewith or elsewhere in the specification and all such embodiments are intended to be included within the scope of that term or terms. Language designating such non-limiting examples and illustrations includes, but is not limited to: “for example,” “for instance,” “e.g.,” “in one embodiment,” and the like.

Reference is now made in detail to the exemplary embodiments of the disclosure, examples of which are illustrated in the accompanying drawings. Wherever possible, like numerals will be used throughout the drawings to refer to like and corresponding parts (elements) of the various drawings.

Embodiments described herein provide an optical system that creates highly uniform light distributions with selected color and/or color temperatures. Optical systems can be created using LEDs with lenses, shaped substrate LEDs, or shaped emitter layer LEDs with overlapping illumination patterns. Preferably each lens, shaped substrate or shaped emitter layer in the optical system is configured to conserve radiance and emit light with a high percentage of light in beam. Furthermore, each lens, shaped substrate or shaped emitter layer in an optical system is preferably shaped to create a uniform light distribution pattern.

FIG. 1A is a diagrammatic representation of an embodiment of an optical unit 15. Optical unit 15 can be a shaped

substrate LED (as described in U.S. Pat. No. 7,789,531), an LED with shaped emitter layers as described in U.S. Pat. No. 7,829,358 or an LED and separate optical device combination as described in U.S. Pat. No. 7,772,604, each of which is fully incorporated by reference herein. Optical units can use lenses, shaped substrates or shaped emitter layers that conserve radiance or some percentage of radiance (e.g., greater than 50%, greater than 60%, greater than 70% to greater than 90% and approaching 100%). Additionally, optical units can be selected to achieve a high percent of light in beam (e.g., greater than 50%, greater than 60%, greater than 70% to greater than 90% and approaching 100%) in a range of beam angles (for example, but not limited to full beam angles of 10-120 degrees (full width half maximum)). Because the individual optical devices provide a high percent of light in beam, an array of such optical units can also provide a high percentage of light in beam (e.g., greater than 50%, greater than 60%, greater than 70% to greater than 90% and approaching 100%). In addition, the optical units can be selected so that the optical units provide a uniform illumination pattern.

For purposes of discussion, optical unit **15** can include LED **20** (or an array of LEDs) and lens **25**. Light from LED **20** optionally can be down converted by phosphor. If phosphor is used, the phosphor coating may be disposed on lens **25**, LED **20** or otherwise disposed between LED **20** and the entrance to the body of lens **25**. Lens **25** can be constructed to emit light in a uniform distribution pattern with either a sharp or soft cut off angle, as discussed below, with a high extraction efficiency and percentage of light in beam.

FIG. 1B is a diagrammatic representation of the illumination pattern of the unit **15** with a target surface **27** being a substantial distance away compared to the size of the unit **15** (in this example approximately 20:1). At a distance that is 20 times the size of the lens exit face the lighted field dimension will be $20 \times 2 \times \tan(30) = 23$ times as wide as the exit face. At this distance the pattern is uniform with well-defined edges.

FIG. 2 illustrates an array **30** of optical units **15**. When one unit is placed next to another, it will have the same field size as the first unit (assuming similar geometries), but the field will be displaced only by the width of the lens exit face (assuming the lenses are closely packed so that there is little or no distance between adjacent lenses). The effect of this is that the optical units **15** emit an overall light profile having an i) overlapping illuminated area **35** illuminated with a mix of chromaticities providing an area of very uniform color and ii) a less uniform border area **36**.

As the distance between the illuminated surface and array **30** grows, the illuminated area grows while the width of the border area **36** stays the same size. At far field, border area **36** becomes unnoticeable. Multiple arrays can be arranged such the border areas overlap to create more uniformity in the border areas, leading to a larger illuminated area having a uniform profile. Due to the square or rectangular shape of the illuminated area created by the array **30**, multiple arrays can be spaced at desired distances to provide targeted uniform lighting over large areas.

The color of the overlap area **35** can depend on the color emitted by each lens which, in turn, can depend on the LED and phosphor selected. According to one embodiment, each LED can be a blue or ultraviolet LED used in conjunction with a pure phosphor or blend of phosphors so that the corresponding lens emits a desired color light. In other embodiments, some or all of the LEDs selected may emit a desired color light without using a phosphor coating. Thus, for example, some of the LEDs in the array can be blue or ultraviolet (or other color) LEDs used in conjunction with

phosphors while other LEDs can be red (or other color) LEDs used without phosphors. Examples of phosphors that can be used include, but are not limited to: garnets doped with Ce^{3+} (such as $\text{Y}_3\text{Al}_5\text{O}_{12}:\text{Ce}$, or YAG), silicates doped with Eu^{2+} (such as $(\text{MgSrBa})_2\text{SiO}_4:\text{Eu}$, or BOS), nitrides doped with Eu^{2+} (such as $(\text{MgCaSr})\text{AlSiN}_3:\text{Eu}$), and other suitable materials known in the art. These phosphors can be used alone (e.g. YAG or BOS), or in blends as necessary to achieve desired color coordinates and/or color rendering index (CRI) values.

One advantage of using an array of units having blue or ultraviolet chips used in conjunction with a pure phosphor or a phosphor blend is that averaging of chromaticity variation between individual units (due to random differences in phosphor loading or chip wavelength) takes place, and the lamp to lamp color variation is thereby reduced versus that for individual LED components. The yield to the ANSI color bins is consequentially increased.

A further advantage of using an array of units having blue or ultraviolet chips used in conjunction with pure phosphors of different colors (in addition to averaging to color coordinates) is the removal of interactions between phosphors. Such interactions are caused by significant overlapping between the emission spectrum of one phosphor and the excitation spectrum of another, and can lead to reduction in CRI value, efficiency, or both. For example, an array consisting of 8 elements coated with YAG and another 8 elements coated with a red nitride phosphor in a checkerboard pattern has a substantially higher CRI value than a similar array using a blend of the same two phosphors on each lens.

Yet another advantage of using an array of units is the ability to provide "hybrid" solutions with narrow beam angles in which some lenses are coated with phosphor and others are not. For example, one embodiment of an array can use blue or ultraviolet LEDs in conjunction with green-yellow phosphor (such as YAG or BOS) on one set of units, and red LEDs, without phosphor, in another set of units. It has been shown that such a hybrid solution can produce a highly efficient warm white light source with a high CRI (e.g., 90 at 3000K).

According to one embodiment, the phosphors can be selected and LEDs controlled so that the combined output in overlap area **35** has a desired spectral power distribution and color coordinates to achieve desired x and y values in the 1931 CIE chromaticity diagram. In particular, the color coordinates of an array can lie on or near the Planckian locus, thereby producing various shades of white light (e.g. "cool" white, "neutral" white, or "warm" white). Desirable regions around the Planckian locus in the chromaticity diagram are defined by the ANSI C78.377-2008 chromaticity standard, over a range of correlated color temperature (CCT) values. However, embodiments described herein may be used to achieve any color coordinates.

By using units emitting various colors (with or without phosphor added), one can achieve dynamic color control of the light (e.g. by using an RGB approach), or a dynamic white light changing from warm to neutral to cool (and back if necessary) over the course of the day, as a few examples. The use of optical units constructed to emit uniform light in a controlled beam angle allows for excellent color mixing (with no diffuser-associated losses) and superior beam angle control at the same time.

Arrays that provide color mixing can be used for industrial, commercial/office, residential, governmental, health care, hospitality or other applications. By way of example, but not limitation, arrays of optical units can be used for the following applications: aquaponic lighting, horticulture lighting, aquaculture lighting, aquarium lighting, food processing lighting, poultry/livestock lighting, automotive light-

ing, avionics lighting, railway lighting, runway lighting, parking lot lighting, parking garage lighting, street lighting, ship lighting, dock and pier lighting, correctional facility lighting, hazardous location lighting, sports lighting, site lighting, theme park/amusement park lighting, casino lighting, stage/theatrical lighting, museum lighting, emergency lighting, security lighting, vandal proof lighting, landscape lighting, accent lighting, downlights, tail lighting, backlighting, under cabinet lighting, area lighting, billboard lighting, signage lighting, medical/dental lighting, cold storage lighting, architectural façade lighting, fountain lighting, in-grade lighting, retail lighting and other lighting applications. Arrays of optical units can be used in a number of lighting devices including, but not limited to light bulbs, replacement lamps, channel lights, reading lights, flashlights, spot lights, instrumentation lighting, microscope lights, machine vision lights, electronic display lights and other devices.

FIGS. 3A-C illustrate arrangements of color optical systems to produce white light units. Each white light unit contains color light sources that emit light of a selected color so that the blended light produces white light. In FIGS. 3A-C, for example, the white light units include 2 green sources, one red source and one blue source. White light units may share overlapping color sources (e.g., in FIG. 3C, one green source and the blue source are shared between white light units). Each color source of FIGS. 3A-C may be a single optical unit emitting a selected color or may be an array acting together to produce a desired color light. In the latter case, arrays can be constructed that emit a selected color of light and arrays emitting different colors can be combined to form a white light unit. While the example of a white light unit is used, arrays can be used to produce other colors of light.

FIG. 4 is a diagrammatic representation of one embodiment of a system 50 comprising a display controller 55 and an array 60 of units 15. System 50 can comprise a circuit board 70 to which the LEDs of units 15 are electrically connected. According to one embodiment, the units 15 can be arranged to form white light units. Controller 55 can include an interface 75 that is electrically connected to the LEDs to send control signals to the LEDs. A processor 80 can execute a set of instructions 85 stored in a computer readable memory 90 to generate control signals to the LEDs. The intensity of the LEDs can be individually controlled to alter the color produced by white light units. In another embodiment, arrays of units may be controlled. Thus for example, controller 55 may control an array of multiple units to adjust the intensity of the array as a whole, rather than controlling individual units in the array. Controller 55 can be implemented as a separate control module, a microprocessor and related hardware, an ASIC and related hardware, or other hardware and/or software suitable to control LEDs. The instructions can be implemented as firmware, software or hardware or according to any other suitable architecture.

The following discussion provides various examples of embodiments of optical systems that can be used to provide color mixing. However, other optical systems may also be used. FIGS. 5-8 are diagrammatic representations of optical units comprising a lens 105 separated by a gap from an LED 110. The LED can be a lateral LED as shown in FIGS. 5 and 6, a flip-chip LED as illustrated in FIG. 7, a vertical LED as illustrated in FIG. 8 or any other suitable type of LED or light source. LED 110 can include a substrate 115 of any suitable LED substrate material including sapphire, silicon carbide, diamond, molded glass or other substrate material. Additionally, LED 110 can have non-substrate layers 120 that can include one or more layers or regions of doping, buffer layers or other layers. Non-substrate layers 120 can include a light

emitting region (or active region), typically a compound semiconductor such as InGaN or AlInGaP or AlGaIn. LED 110 can be rectangular (including square), hexagonal, circular or have another geometric or irregular shape.

LED 110 is mounted to a submount 125. According to one embodiment, submount 125 that can be made of a material with high thermal conductivity to spread and conduct the heat produced by LED 110. Any suitable submount known or developed in the art can be used. LED 110 is disposed in an LED cavity 130 defined by housing 135. Housing 135 can be a portion of a larger housing, a layer(s) of material mounted on submount 125 or other material positioned around LED 110 that forms a cavity in cooperation with submount 125 or other layer. For example, according to one embodiment, material 135 can be a layer of molded plastic mounted to submount 125.

LED cavity 130, according to one embodiment, can have straight sidewalls that are parallel to the sides of the LED (i.e., vertical from the perspective of FIG. 5). In other embodiments, the walls of LED cavity 130 can be curved (e.g., parabolic, multi-parabolic or other curved shape), tapered or otherwise shaped to better direct light upwards. LED cavity 130 can be filled with air, molded silicone, silicone mixed with phosphor particles, molded plastic, or other encapsulant. Using a material having a higher index of refraction than LED 110 can prevent light from being trapped in LED 110 due to total internal reflection ("TIR") in LED 110, thereby allowing more light to escape into LED cavity 130.

A reflector 140 (see FIG. 6) disposed around LED 110 can reflect light toward lens 105. In some embodiments, reflector 140 can be a discrete component. By way of example, but not limitation, the reflector can be Teflon, Teflon paper, diffuse reflective plastic, silver coated plastic, white paper, TiO₂ coated material or other reflective material. In another embodiment, reflector 140 can be formed through selection of material 135 or the encapsulant. For example, material 135 can be a white plastic material such that the walls inherently form a diffuse white reflector. In another embodiment, reflector 140 can be formed by the surface tension of an encapsulant disposed in LED cavity 130.

In some cases, an LED may only leak light out the sides of some portions of the LED. In the embodiment of FIG. 8, for example, the substrate 115 may include non-transparent sides such that LED 110 does not emit light from the sides of its substrate 115. Consequently, the optical system can be constructed so reflector 140 only surrounds the side portions of LED 110 through which light is emitted.

Lens 105 can include an entrance face 150 to receive light into the lens body 107 of lens 105. According to one embodiment, entrance face 150 can be parallel to the primary emitting plane of LED 110 (e.g., a plane parallel to face 117 in FIG. 6). In other embodiments, the entrance face can have another orientation (e.g. perpendicular) relative to the primary emitting plane of the LED. It should be noted, however, lens 105 can include additional layers, such as buffer or protective layers, that light may traverse prior to entering entrance face 150 of lens body 107.

A phosphor layer 145 can be disposed on lens 105 between the entrance face of lens body 107 and LED 110. The phosphor layer can be disposed directly on the entrance face 150 or on a buffer layer between phosphor layer 145 and entrance face 150. The phosphor in phosphor layer 145 absorbs the higher energy, short wavelength light waves, and re-emits lower energy, longer wavelength light. Light emitted by phosphor layer 145 can enter the lens body 107 through entrance face 150.

According to one embodiment, phosphor layer **145** can include a layer of phosphor particles in a binding material, such as silicone, coated on the entrance face **150** of lens body **107**. The phosphor particles can include any suitably sized phosphor particles including, but not limited to, nano-phosphor particles, quantum dots, or smaller or larger particles and can include a single color or multiple colors of phosphor particles. In other embodiments, the phosphor layer **145** can be separated from the entrance face **150** of lens body **107** by one or more buffer layers. There may also be additional layers of material such that, for example, phosphor layer **145** is sandwiched between entrance face **150** and one or more additional layers of material. Materials and adhesives can be selected with indexes of refraction such that losses do not occur or are minimized at layer boundaries. The phosphor can be disposed using any technique known or developed in the art including, but not limited to, silk screening, stencil printing, syringe dispense or jetting.

The color of light emitted by a unit **100** can be selected based on LED **110** and the phosphor particles in phosphor layer **145**. For example, LED **110** can be a UV LED and phosphor layer **145** can include phosphors that down convert UV light to red, green, blue, yellow or other color light. In another example, LED **110** can be a blue LED and phosphor layer **145** can down convert the blue light into a desired color. Reflector **140** can be selected to reflect both the color light emitted by the LED **110** and the down converted light from phosphor layer **145**.

Lens **105** is positioned so that phosphor layer **145** is maintained a distance from LED **110**. The position of lens **105** can be maintained by using a housing, coupling lens **105** to encapsulant in LED cavity **130** or otherwise positioning lens **105** relative LED **110**. If lens **105** is adhered to an encapsulant, an adhesive with an index of refraction equal to or greater than that of the encapsulant can be used to prevent TIR at the encapsulant/adhesive boundary.

Lens **105** can act as a light guide to guide light from entrance face **150** to exit face **155**. Examples of a lens **105** that can utilize TIR at shaped sidewalls **157** to guide light to exit face **155** are described below and in U.S. Pat. No. 7,772,604 which is hereby fully incorporated by reference herein. Lens **105** can be a separate optical device designed so that all the light can be extracted out exit face **155** (not accounting for Fresnel losses) in the smallest package design possible through selection of exit face area **155**, distance between the exit face **155** and entrance face **150** and the design of sidewalls **157**. Other embodiments can be shaped to have different sizes or achieve different extraction efficiencies. For example, according to one embodiment, lens **105** can be configured such that at least 70% of the light entering lens body **107** at entrance **150** exits exit face **155**. Additionally, the lens **105** can be selected to provide a uniform light distribution and to emit light in a desired half-angle.

In operation, LED **110** produces light that can exit LED **110** from surface **117** (see FIG. 6) and sides **119** (see FIG. 6). Reflector **140** acts as a redirecting lens to redirect light escaping sides **119** to entrance surface **150** of lens body **107**. When the light is incident on phosphor layer **145**, phosphor layer **145** down converts the light and emits light into lens body **107** and back into LED cavity **130**. Reflector **140** can again direct the light in LED cavity **130** to entrance face **150**. Lens body **107** guides light entering entrance face **150** from phosphor layer **145** to exit face **155**. If lens body **107** provides light in a uniform distribution in a desired half-angle, lenses are not required to shape the beam. Consequently, color conversion and beam shaping can be achieved with a single lens.

One consideration is that phosphor can heat up to a temperature of approximately 150 degrees Celsius during use. Consequently, lens body **107** can be constructed of a material that can withstand continuous use at this temperature. In another embodiment, a buffer layer of silicon or other material capable of withstanding high temperatures can be introduced between the phosphor layer **145** and entrance face **150** of lens **105**. While thicker or thinner buffers can be used, one embodiment can include a layer of silicon that is 100 to 200 microns thick. This can allow, for example, a broader range of polycarbonates to be used for lens body **107**.

FIGS. 9 and 10 are diagrammatic representations of embodiments of lens **105** having body **107**, a buffer **160** layer and phosphor layer **145**. The buffer layer can be a suitable, high temperature material such as silicon or other material that can withstand the operating temperatures of the selected phosphor layer **145**. In one embodiment, buffer **160** can be adhered to or otherwise coupled to the bottom of lens body **107** or, as shown in FIG. 9, all or a portion of buffer **160** can rest in a pocket formed at the entrance face of lens **105**. The phosphor layer can be disposed on lens **105** as a coating on buffer layer **160**. FIGS. 9 and 10 also illustrate an adhesive layer **165** to adhere lens **105** to an encapsulant in LED cavity **130** (FIGS. 5-8).

Embodiments described herein provide an advantage over traditional systems of using phosphors with LEDs because the phosphor is removed a distance from the LED. Because the phosphor is located at the entrance of the lens, there is high coupling efficiency. Additionally, self-heating of the phosphor due to Stokes shift can be reduced because heat can be dissipated through the material of lens **140**, housing **135** and/or submount **125**. Higher phosphor conversion efficiency can also be achieved due to low flux density at the entrance face **150** of lens **105**.

The distance between phosphor **145** and LED **110** can be optimized to provide an optimal balance between thermal considerations and effective phosphor package efficiencies. While any suitable gap size can be used as needed or desired, one embodiment of an optical system has a gap of 100-200 microns between surface **117** (see FIG. 6) and phosphor layer **145**.

Additionally, embodiments described herein provide for flexible optical system architectures. Because the phosphor coated lens can be separate from the LED chip, it can be used in conjunction with various types of optical devices, including conventional light emitting devices. Furthermore, LEDs **110** can be used with a variety of different lens types depending on need.

According to one embodiment, an array of lenses **105** can be formed where each lens **105** is selected to emit light in a desired half-angle having a uniform distribution in near and far fields. The lenses **105** can be tightly packed, that is spaced so that there are no perceivable gaps between emitted light for adjacent lenses **105**. Because the emitted light from each lens **105** is uniform and in a desired half-angle, the light output of the array will be in the desired half-angle with uniform near and far field distributions, but covering a larger area than the light emitted by a single lens with no dark spots or ghosting. This provides a very practical benefit for display or lighting manufacturers because additional optics are no longer required to get light from an LED array using phosphors into a desired angle.

FIG. 11 is a diagrammatic representation of one embodiment of a packaged array **200**. In the embodiment of FIG. 11, packaged array **200** comprises submount **125**, main housing **205** and cover **210**. Submount **125** provides mechanical support and electrical connections for LEDs. Embodiments of

11

submount materials include, but are not limited to: Low Temperature Cofire Ceramic (LTCC) with thermal vias, High Temperature Cofire Ceramic (HTCC) with thermal vias, Beryllium Oxide (BeO) ceramic, Alumina ceramic, Silicon, Aluminum Nitride (AlN), Metal (Cu, Al, etc.), and Flex circuit.

Main housing 205 can be formed of suitable materials including, but not limited to, plastic, thermoplastic, and other types of polymeric materials. Composite materials or other engineered materials may also be used. In some embodiments, main housing 205 may be made by a plastic injection molding manufacturing process. Various molding processes and other types of manufacturing processes may also be used. In some embodiments, main housing 205 may be opaque. In some embodiments, main housing 205 may be transparent or semi-transparent. Main housing 205 can be bonded or otherwise coupled to a layer of material 215 to complete the housing about the LEDs and lenses. In other embodiments, the housing can be formed of any number of layers or pieces of suitable material that will not unacceptably deform during operation due to heating and can protect the LEDs and lens for expected contact or shock during use, transportation or manufacture.

In the embodiment of FIG. 11, packaged array 200 is a 4x4 array and each group of 4 lenses shares a cover 210. In other embodiments a single cover 210 can be used for all lenses or each lens can have its own cover 210. Cover 210, according to one embodiment, can have a sufficient thickness to prevent the lenses from becoming damaged during handling of packaged array 200.

FIG. 12 is a diagrammatic representation of a cross-sectional view of one embodiment of packaged array 200 illustrating main housing 205, lens 105, cover 210, LED 110, LED cavity 130, housing layer 215 and submount 125 (only one instance of each is indicated for clarity). In the embodiment of FIG. 12, cover 210 is integrated with lens 105 such that they form a single lens assembly. Cover 210 can be integrated with other lenses 105 so that a single lens assembly will have a cover portion and multiple lens portions. The body 107 of lens 105 and cover 210 can be made of a single piece of molded plastic, polycarbonate, PMMI or other material. In other embodiments, cover 210 can be coupled to lens 105 using an adhesive. Cover 210 also may simply be in contact with lens 105 or may be separated from lens 105 by a gap. In other embodiments, shape of lens body 107 can be selected to account for the transition into cover 210.

Cover 210 can be an optically transparent material, such as a plastic, glass, composite material, or other material and may include one or more layers. Additionally, cover 210 may include layers of material to perform photon conversion (e.g., an additional phosphor layer), filtering or other functions with respect to light exiting lens 105.

Main housing 205 forms a lens cavity 220 sized to fit lens 105. The sidewalls 225 of lens cavity 220 can be curved to match or approximate the sidewall shapes of lens 105 so that the size of lens cavity 220 is smaller proximate to the corresponding LED cavity 130 and larger distal from LED cavity 130. In other embodiments, the sidewalls 225 can be vertically straight (from the perspective of FIG. 12) or can be tapered. Sidewalls 225 can include reflective coatings or other coatings to reflect any light leaking from the sides of lens 105 to the exit of cover 205. In another embodiment, main housing 205 can be formed of white plastic or other color material so that sidewalls 225 form reflectors.

According to one embodiment, lens cavity 220 can be sized so that there is a gap between the sidewalls of lens body 107 and sidewalls 225 of lens cavity 220 to preserve TIR in lens

12

body 107. The size of the gap can be constant or can increase or decrease further from the base of lens cavity 220. The gap can be filled with air or other material. Preferably, the material has the same or lower index of refraction than body 107 of lens 105. In other embodiments, sidewalls 225 can contact sidewalls of lens body 107 and act as a reflector for light in lens body 107.

Main housing 205 can include a shoulder 230 on which ledge 235 of cover 210 rests. An adhesive, mechanical fasteners or other suitable fastening mechanism can be used to couple cover 210 to main housing 205. In other embodiments a secondary structure, such as a clamping structure, can maintain cover 210 against main housing 205.

According to one embodiment, by coupling cover 210 to main housing 205, lens 105 is held in a desired position in lens cavity 220. In this case, lens 105 may not require additional attachment to housing 205. In other embodiments, a portion of lens 105 can be adhered to or otherwise coupled to a shoulder 240 at the base of lens cavity 220 or other portion(s) of lens 105 can be coupled to main housing 205.

Main housing 205 defines a portion or all of LED cavity 130 in cooperation with submount 125 and housing layer 215. Although LED cavity 130 is shown with vertical sidewalls, LED cavity 130 can have tapered, curved or otherwise shaped sidewalls to act as a redirector lens. The opening to LED cavity 130 can have the same shape as and be rotationally aligned with LED 110 or can have another shape or alignment.

A phosphor layer can be disposed proximate to entrance face 150 such that light exiting LED cavity 130 will be incident on the phosphor layer. The phosphor layer down converts light before the light enters lens body 107. The down converted light is guided through lens 105 and exits cover 210. Entrance face 150 of lens body 107 can be the same shape as and be rotationally aligned with the opening to LED cavity 130 or have another shape or alignment.

FIG. 13 is a diagrammatic representation of a cutaway view of one embodiment of an LED cavity 130. Submount 125 forms the base of the cavity, while the sidewalls are formed by main housing 205 and layer 215. According to one embodiment, a portion of LED 110 can extend into the portion of LED cavity 130 defined by main housing 205. For example, the non-substrate layers 120 including the active region of the LED may extend into this opening or, in a flip chip design, the substrate 115 may extend into this portion. LED cavity 130 can become larger closer to submount 125 to accommodate electrical connections or otherwise provide space around LED 110. While portions of submount 125, layer 215 and main housing 205 are shown, the packaged array 200 can include additional layers that define cavity 130.

FIG. 14 is a diagrammatic representation of packaged array 200 with main housing 205 removed. It can be noted in FIG. 14 that the entrance face 150 to lens body 107 is maintained a distance away from the corresponding LED 110. Consequently, any phosphors disposed on or near the entrance face will also be separated from LED 110.

FIG. 15 is a diagrammatic representation of one embodiment of a portion of packaged array 200 having layer 215 and submount 125 forming separate LED cavities 130 for each LED 110. While, in the embodiment of FIG. 15, LED cavity 130 has straight vertical sidewalls, LED cavity 130 can have curved, tapered or otherwise shaped sidewalls and can act as a reflector. The area of LED cavity 130 defined by layer 215 can be larger than that defined by main housing 205 to accommodate electrical connections or to otherwise provide space around LED 110. In other embodiments, the cavity can have a uniform size or become wider as it approaches lens 105.

13

Cavity **130** can be entirely or partially filled with an encapsulant, air, silicone or other filler material. Layer **215** can be adhered or otherwise coupled to submount **125**.

FIG. **16** is a diagrammatic representation of one embodiment of LEDs **110** mounted on submount **125**. Submount **125**, as illustrated in FIG. **16**, can provide support for LEDs **110** and provide electrical connections **250**. Electrical connections can be provided using suitable metals or other conductors. While a particular pattern and type of electrical connection are illustrated, any suitable electrical connections to LED **110** and submount **125** can be provided.

FIG. **17** is a diagrammatic representation of one embodiment of main housing **205** defining lens cavities **220** sized to fit lenses **105**. Lens cavity **220** extends from an opening **260** to LED cavity **130** to a second opening **265**. The sizes of the openings can have, according to one embodiment, a ratio that is the same as the size ratio of the exit face to entrance face of the lens. In another embodiment, opening **260** may be approximately the same size as the entrance face to the lens **105** while opening **265** is larger than the exit face. Sidewalls **225** can be curved, tapered, vertical or have another selected shape. A shoulder **230** provides a surface to which cover **210** can be coupled.

In the embodiment of FIG. **17**, main housing **205** forms a 4x4 array. However, main housing **205** can accommodate larger or smaller arrays or a single optical system. Additionally, main housing **205** can be shaped to accommodate circular, hexagonal or other shaped lenses **105** in a tightly packed array. Although only one array is shown, multiple arrays can be arranged on the same substrate.

FIG. **18** is a diagrammatic representation of another embodiment of a packaged array with the housing removed similar to that of FIG. **14**, but including layer **255**. FIG. **19** is a diagrammatic representation of one embodiment of a portion of a packaged array **200** with lenses **105** and cover **210** removed illustrating that layer **255** can define a portion of and provide an opening to LED cavity **130**.

A portion of the cavity that houses LED **110** can be formed by layer **255** rather than the main housing **205**. In this case, housing layers **255** and **215** can define the lens cavities **130**, while layers **215** and **255** define the LED cavities. Layers **215** and **255** can include any suitable materials including plastics or other materials. Layer **255** can be inset from layer **215** to form a ledge to which main housing **205** can be bonded. The use of layers **215** and **255** can ease manufacturability by providing a mechanism by which to align main housing **205**.

FIG. **20** is a diagrammatic representation of a lens assembly **275** comprising a set of lenses **105** and a lens cover **210**. According to one embodiment, the lens bodies **107** and cover can be a unitary piece of material.

Each lens **105** can be a phosphor coated lens selected to emit a desired color light. If more than one phosphor lens is used in a system, multiple types of phosphors may be used to achieve the desired color temperature and CRI. For instance, three yellow phosphor lenses and one red phosphor lens may be used in conjunction with a blue pump to attain warm white light. As another example, in the 2x2 array of lenses shown, each lens can emit red, green or blue light. The light from lenses **105** can be combined to form white light. Since each of the four phosphor lens can emit to the same far field distribution, the colors will undergo superposition and will not bleed or create ring-like effects.

In yet another embodiment, each assembly **275** can emit a different color of light. In a 4x4 array as shown in FIG. **17**, for example, four lens assemblies **275** can be used. One lens assembly **275** can emit blue light, one assembly **275** can emit

14

red light and two assemblies **275** can emit green light such that the array as whole acts as a white light source.

According to one embodiment, lighting systems can be created with multiple packaged arrays. FIGS. **21** and **22** for example, illustrate multiple packaged arrays **200** mounted to a common submount **125**. The number and layout of the packaged arrays **200** can be selected as needed or desired. The packaged arrays can be spaced so that the illumination patterns of the packaged arrays **200** overlap.

In the various embodiments described above, lens **105** can have a lens body **107** with an entrance face **150**, an exit face **155** and sidewalls **157** (see FIG. **5**). According to one embodiment, lens **105** can be constructed with the assumption that the LED or phosphor layer **145** will emit uniformly into entrance face **150**. To conserve radiance so that all the light entering lens body **107** through entrance face **150** can be extracted through exit face **155**, the area of exit face **155** is selected according to the etendue equation such that:

$$\frac{n_1^2 A_1 \Omega_1}{n_2^2 \Omega_2} = A_2 \quad [\text{EQN. } 1]$$

Where Ω_1 =effective solid angle whereby light enters through entrance face **150**; Ω_2 =effective solid angle whereby light leaves exit face **155**; A_1 =area of entrance face **150**; A_2 =area of exit face **155**; n_1 =refractive index of material of lens body **107**; and n_2 =refractive index of substance external to the exit face **155** of lens body **107** (e.g. air or other medium). In another embodiment, it can be assumed that A_1 is the size of the phosphor layer and that the phosphor layer acts as a uniform emitter over that area.

There are various models for determining effective solid angle including those described in U.S. patent application Ser. No. 11/906,194 entitled "LED System and Method" to Duong, et al. filed Oct. 1, 2007, U.S. patent application Ser. No. 11/906,219 entitled "LED System and Method" to Duong, et al., filed Oct. 1, 2007 and U.S. patent application Ser. No. 11/649,018 entitled "Separate Optical Device for Directing Light from an LED," filed Jan. 3, 2007, each of which is hereby fully incorporated by reference herein. Preferably, the area of exit face **155** is within 30% (plus or minus) of the minimum area necessary to conserve radiance.

The distance between exit face **155** and entrance face **150** can be selected so that all rays having a straight transmission path from entrance face **150** to exit face **155** are incident on exit face **155** at less than or equal to the critical angle at exit face **155** to prevent TIR at exit face **155**. According to one embodiment, the minimum distance can be selected based on a limiting ray. The limiting ray is a ray that travels the longest straight line distance from entrance face **150** to exit face **155**. For square or rectangular faces **150** and **155**, the limiting ray will be a ray that travels from a corner of entrance face **150** to the opposite corner of exit face **155**. Preferably, the distance between the entrance face **155** and exit face **155** is within 30% (plus or minus) of this minimum distance, though smaller distances can be used.

In addition, the sidewalls **157** can be shaped. Broadly speaking, the sidewall shapes are determined so that any ray incident on a sidewall is reflected to exit face **155** and is incident on exit face **155** at the critical angle or less (i.e., so that there is no loss due to internal reflection at exit face **155**). While, in one embodiment, the sidewalls are shaped so that all rays that encounter the inner surface of the sidewalls experience total internal reflection to exit face **155** and are incident

on exit face **155** at the critical angle or less, other sidewall shapes that allow some loss can be used.

FIG. **23A** is a diagrammatic representation of a cross-section of a model of lens **305** for determining sidewall shapes. Sidewall shapes can be determined using computer-aided design. A model of the sidewall can be created in a computer-aided design package and simulations run to determine an appropriate sidewall shape.

According to one embodiment, each sidewall can be divided into n facets with each facet being a planar section. For example, model sidewall **370** is made of fifteen planar facets **372a-372o** rather than a continuous curve. The variables of each facet can be iteratively adjusted and the resulting distribution profiles analyzed until a satisfactory profile is achieved as described below. While the example of fifteen facets is used, each sidewall can be divided into any number of facets, including twenty or more facets.

Each facet can be analyzed with respect to reflecting a certain subset of rays within a lens. This area of interest can be defined as an "angular subtense." The angular subtense for a facet may be defined in terms of the angles of rays emanating from a predefined point. Preferably, the point selected is one that will give rays with the highest angles of incidence on the facet because such rays are the least likely to experience TIR at the facet. In a lens with a square shaped entrance area, for example, this will be a point on the opposite edge of the entrance.

According to one embodiment, for a selected A_1 , A_2 , and height, the maximum of angle **374** of any ray that will be incident on a given sidewall (e.g., sidewall **370**) without being previously reflected by another sidewall can be determined. In this example, ray **376** emanating from point **378** establishes the maximum angle **374** for sidewall **370**. If the maximum of angle **374** is 48 degrees and there are 15 facets for sidewall **370**, each facet (assuming an even distribution of angular subtenses) will correspond to a 3.2 degree band of angle **374** (e.g., a first facet will be the area on which rays emanating from point **378** with an angle **17** of 0-3.2 degrees are incident, the second facet will be the area on which rays emanating **374** from point **378** with an angle **95** of 3.2-6.4 degrees are incident, and so on).

For each facet, the exit angle, facet size, tilt angle, or other parameter of the facet can be set so that all rays incident on the facet experience TIR and are reflected to exit surface **355** such that they are incident on exit surface **355** with an angle of incidence of less than or equal to the critical angle. Preferably, the sidewalls are also shaped so that a ray viewed in a cross-sectional view only hits a side wall once. However, there may be additional reflection from a sidewall out of plane of the section. For a full 3D analysis, a ray that strikes a first sidewall near a corner, may then bounce over to a second side wall, adjacent to the first, and from there to the exit face. A curve fit or other numerical analysis may be performed to create a curved sidewall shape that best fits the desired facets.

To optimize the variables for each facet, a simulated detector plane **380** can be established. Detector plane **380** can include x number of detectors to independently record incident power. A simulation of light passing through the lens **305** may be performed and the intensity and irradiance distributions as received by detector plane **380** analyzed. If the intensity and irradiance distributions are not satisfactory for a particular application, the angles and angular subtenses of the facets can be adjusted, a new curved surface generated and the simulation re-performed until a satisfactory intensity profile, exitance profile or other light output profile is reached. Additional detector planes can be analyzed to ensure that both near field and far field patterns are satisfactory. Alternatively, the

simulation(s) can be performed using the facets rather than curved surfaces and the surface curves determined after a desired light output profile is reached. In yet another embodiment, the sidewalls can remain faceted and no curve be generated.

According to another embodiment, the sidewall shape can be selected based on multiple parabolas with each planer facet representing a linear approximation of a portion of a parabola. For example, FIG. **23B** is a diagrammatic representation of a portion of a modeled lens **305**. In FIG. **23B**, a hypothetical ray **384** is depicted that emanates from the focus **386** of a parabola **388** and intersects sidewall **370** such that it is reflected off sidewall **370** due to TIR and traverses the lens **305** to intersect exit plane **355** at an exit angle **390** that is less than the critical angle and exits lens **305** into air or other medium. As can be seen from FIG. **23B**, at the transition from the lens **305** to air, ray **384** bends as described by Snell's law. Since the tangent point of the sidewall is determined from a parabola and because the ray incident and reflected off the sidewall is in the same medium, the ray will be parallel to the optical axis of the parabola. Thus, light is projected with a half-angle **392**. Angular subtenses **396** defining the shape of sidewall **370** may be adjusted so that hypothetical ray **384** reflects off sidewall **370** such that ray **384** traverses exit face **355** with a desired exit angle **390** or projects light with a desired half angle **392**.

In one embodiment, when fabricating a sidewall or calculating the angular subtense of a sidewall, finer subtenses may be used towards the base of the sidewall (i.e. nearer the phosphor layer) because the effects of the subtense are greater or more acute upon reflection near the base, and thus finer subtenses allow for a sidewall with better TIR properties, whereas further from the base, where the effects of the subtenses are less, the subtenses may be coarser. Thus, facets of a sidewall may be numerically greater towards the base of a lens body **107**. In one embodiment, a sidewall may have 110 or more facets, with finer facets at the base of the sidewall, wherein the facets approximate one or more subtenses.

A facet can be a linear approximation of a portion of a parabola **388**. The parameters of parabola **388** can be adjusted until the portion achieves the desired goal of all rays incident on the portion reflecting to exit face **355** such that the rays have an exit angle **390** of less than the critical angle. Each facet can be formed from a parabola having different parameters. Thus, a facet for one angular subtense may be based on a parabola while another facet is based on another parabola. A 110-facet sidewall, for example, may be based on 110 different parabolas.

FIG. **23C** depicts a spreadsheet **500** that can be utilized to design a sidewall shape as shown in graph **510** through the specification of angular subtenses. Projected half angle column **550** contains a plurality of angles that correspond to projected half angle **450** of FIG. **23B**. Exit angle columns **540a** (in radians) and **540b** (in degrees) contain a plurality of exit angles corresponding to exit angle **392** of FIG. **23B**. More particularly, all or a subset of the angles in column **540a** may be angles that are less than the critical angle such that light rays intersecting the exit face at those angles traverse the exit face, exiting the shaped device. Columns **540a** and **540b** may be utilized to develop parabola focus column **560**, containing a plurality of foci defining different parabolas. Angular subtense column **565** contains a plurality of angles (in radians) that define the limits of an angular subtense that can be used in conjunction with parabola focus column **560** to define the shape of a sidewall such that a ray reflects off the sidewall to exit the exit face at less than the critical angle. Using the values contained in parabola focus column **560** and angular

subtense column **565**, theta column **570** and radius column **575** can be developed wherein corresponding values in columns **570** and **575** correspond to points on a desired parabola for the angular subtense. In turn, the theta column **570** and radius column **575** can be utilized to develop Cartesian coordinates for points on a sidewall (e.g. coordinate transformation columns **577**) that approximate the parabola for the angular subtense.

For example, a user can specify the size of the entrance face of the shaped device (in this case marked LED size) and material index. The size can correspond to the size of the entrance face or emitting size of the phosphor layer. Using a hypothetical example of a size of 1, and an index of refraction of 1.77, a row in screen **500** can be completed as follows. The user can specify an exit angle in air (assuming air is the medium in which the lens will operate) in column **550**. In the example of the first row, the user has selected 55.3792 degrees. The exit angle in the lens can be calculated as $\sin(55.3792/180*\pi)/1.77$ or 0.4649323 radians, column **540a**. Column **540b** can be calculated as a $\sin(0.4649323)/\pi*180=27.2058407$. The focus of the parabola can be calculated as $\frac{1}{2}*(1+\cos(\pi/2-27.2058407/180*\pi))=0.732466$. Angular subtense column **565** can be calculated based on the number in the next column (representing the relative size of a particular facet) as $(90-27.7058407)/110=3.114708$. Theta column **570** can be calculated using a selected number of facets (in this example 110). For example, in the first row theta is calculated as $(90-27.7058407)+3.114708*110=124.5883$. The radius of the parabola (column **575**) for the first facet can be calculated as $2*0.732466/(1+\cos(124.5883/180*\pi))$. The contents of coordinate transformation columns **577** can be calculated as follows for the first row: $x=-3.3885*\cos(124.5883/180*\pi)=1.923573$; $y=-3.3885*\sin(124.5883/180*\pi)=2.789594$, $X=1.923573*\cos(27.7058407/180*\pi)+2.789594*\sin(27.7058407/180*\pi)$; $Y=2.789594*\cos(27.7058407/180*\pi)-1.923573*\sin(27.7058407/180*\pi)-1$ (size)/2=1.075452 and $Y'=-Y$. The X, Y coordinates can then be used as data point inputs for a shape fitting chart in Excel. For example graph **510** is based on the data points in the X and Y columns (with the Y column values used as x-axis coordinates and the X column values used as y-axis coordinates in graph **510**). In addition to the X and Y values a starting value can be set (e.g., .5 and 0). The shape from graph **510** can be entered into an optical design package and simulations run. If a simulation is unsatisfactory, the user can adjust the values until a satisfactory profile is achieved.

When a satisfactory efficiency and intensity profile are achieved, a separate optical device can be formed having the specified parameters. An example of such a lens body **107** is shown in FIG. **23D** which provides a diagrammatic representation of one embodiment of lens body **107** with sidewalls shaped to cause TIR so that rays are reflected from the sidewalls to the exit surface. The shape of each sidewall, in this embodiment, is a superposition of multiple contoured surfaces as defined by the various facets. While a curve fit is performed for ease of manufacturability, other embodiments can retain faceted sidewalls.

In the above example, it is assumed that the exit plane of light for purposes of shaping a lens is the exit face of the lens. However, as shown in the embodiment of FIG. **24**, the exit plane of the shaped lens **105** may be the transition from shaped portion into another portion such as cover **210**. While light will exit the lens assembly through the cover **210**, the transition **400** between shaped lens body **107** and cover **210** can serve as the "exit face" for determining the shape of lens **105** as described above. If cover **210** has the same index of

refraction as lens body **107**, then the critical angle at the used in shaping lens **105** will be the same as if transition **400** were exposed to the outside medium because if light traverses transition **400** at less than or equal to the critical angle, it will also be incident on surface **404** at less than or equal to the critical angle. If the index of refraction of cover **210** is lower (or any adhesives or other layers between cover **210** and lens body **107**), the critical angle at the exit face will be the critical angle based on the lower index of refraction.

The various boundary conditions, particularly the area of exit surface **155**, can be determined for the separate optical device so that brightness can be conserved. The minimum area of exit surface **155** can be determined from EQN. 1 above, which relies on various effective solid angles. Typically, the effective solid angle of light is determined based on equations derived from sources that radiate as Lambertian emitters, but that are treated as points because the distances of interest are much greater than the size of the source. The observed Radiant Intensity (flux/steradian) of a Lambertian source varies with the angle to the normal of the source by the cosine of that angle. This occurs because although the radiance (flux/steradian/m2) remains the same in all directions, the effective area of the source decreases to zero as the observed angle increases to 90 degrees. Integration of this effect over a full hemisphere results in a projected solid angle value equal to π steradians.

Turning to FIG. **25**, assume a sphere **630** of given radius (R) surrounds point source **632** (in this example, point source **632** approximates a Lambertian source at a significant distance). The projected area of a hemisphere of the sphere is πR^2 and the projected area of the full sphere is $2\pi R^2$. This model can be used to design lenses because the phosphors can be modeled as a Lambertian emitter such that from any point on a hypothetical hemisphere centered over the interface, a given point on the interface will have the same radiance. The area A_3 can be calculated as the flat, circular surface (e.g., surface **636**) that is subtended by the beam solid angle of interest using a radius of the circle **634** (R_c) that is the distance from the normal ray to the intersection of the spherical surface. For a given half angle **637** of θ of the beam, R_c is the product of R (the radius of the sphere) and the sine of the angle θ , such that

$$R_c = R * \sin(\theta) \tag{EQN. 2}$$

The area equals:

$$A_3 = \pi R_c^2 = \pi (R * \sin(\theta))^2 \tag{EQN. 3A}$$

The area A_3 is the projected area of the solid angle as it intersects the sphere. The area A_3 is divided by the projected area of the hemisphere ($A_H = \pi R^2$) and the quotient is multiplied by the projected solid angle of the full hemisphere (equal to π) to obtain the projected solid angle Ω , such that:

$$\Omega = \pi \frac{\text{projected area of desired solid angle}}{\text{projected area of hemisphere}} \tag{EQN. 3B}$$

$$\Omega = (\pi) * \{[\pi (R * \sin(\theta))^2] / (\pi R^2)\} \tag{EQN. 3C}$$

$$= \pi * \sin^2(\theta) \tag{EQN. 4}$$

For entrance face **150** of FIG. **5**, for example, θ is 90 degrees, leading to a projected solid angle of $\pi * \sin^2(90)$, and for the desired half angle of 30 degrees, the projected solid angle is $\pi * \sin^2(30)$. Using these values for Ω_1 and Ω_2 for EQN. 1, A_2 can be determined for any half angle.

In the above example, the solid angle is determined using equations derived from a Lambertian source modeled as a

point source. These equations do not consider the fact that light may enter a lens body 107 through an interface that may be square, rectangular, circular, oval or otherwise shaped. While the above-described method can give a good estimate of the solid angle, which can be later adjusted if necessary based on empirical or computer simulation testing, other methods of determining the effective solid angle can be used.

FIGS. 26A-26E describe another method for determining the effective solid angle for a lens. FIG. 26A is a diagrammatic representation of one embodiment of an entrance face 750 and an exit face 755 of a lens 760 and a hypothetical target plane 756 onto which light is projected. FIG. 26A illustrates examples for a position of an effective source origin 752, central normal 753 and effective output origin 754. For purposes of further discussion, it is assumed that the center of interface 750 is at 0,0,0 in a Cartesian coordinate system. Target plane 756 represents the parameters of the resulting pattern (e.g., size and half angle used by other optics). According to one embodiment, the half angle at the diagonal (shown as α_1 in FIG. 26B) is the starting point. For example, if the desired light at target plane 756 has a maximum half angle of 30 degrees, α_1 for a square- or rectangular-faced separate optical device is 30 degrees. The half-angle within the separate optical device (labeled β_1 and also shown in FIG. 26C) can then be determined according to:

$$n_2 \sin(\alpha_1) = n_1 \sin(\beta_1) \quad [\text{EQN. 5}]$$

where n_1 is the IOR of the lens 760;

n_2 is the IOR of the material (typically air) into which the light is projected from the lens 760;

α_1 is the half angle at the exit face in the medium external to the lens 760;

β_1 is the desired half angle of lens 760.

For example, if the desired half-angle α_1 is 30 degrees and a lens having an IOR of 1.5 is projecting into air having an IOR of 1, then $\beta_1 = 19.47$ degrees. A similar calculation can be performed for a ray projecting from a point on the long and short sides of entrance surface 150. For example, as shown in FIGS. 26B and 24C, α_2 and β_2 can be determined for a ray traveling from the center of one edge on entrance surface 450 to the center of the opposite edge of exit surface 755. (The critical angle is the same at 19.47, but β_1 is not the same as β_2 . β_2 is determined by the geometry of the sides and the height to the optical device.)

Using the angles calculated, the location of an effective point source 757 can be determined. For a square entrance face 450, of length l_1 , the effective point source will be located $X=0$, $Y=0$ and

$$Z_{eps} = \frac{l_1}{\sqrt{2} * \tan(\beta_1)} \quad [\text{EQN. 6}]$$

Where Z_{eps} is the distance the effective point source is displaced from the emitting surface of the LED.

The X, Y and Z distances from the effective point source 757 to points F_1 and F_2 can be calculated assuming F_1 intersects a sphere of unity radius according to:

$$X_{F1} = \cos(\psi_1) \sin(\beta_1) \quad [\text{EQN. 7}]$$

$$Y_{F1} = \sin(\psi_1) \sin(\beta_1) \quad [\text{EQN. 8}]$$

$$Z_{F1} = \cos(\beta_1) \quad [\text{EQN. 9}]$$

$$X_{F2} = \cos(\psi_2) \quad [\text{EQN. 10}]$$

$$Y_{F2} = \sin(\beta_2) \quad [\text{EQN. 11}]$$

$$Z_{F2} = \cos(\beta_2) \quad [\text{EQN. 12}]$$

where ψ_1 is the angle of the diagonal ray in the X-Y plane (45 degrees for a square) and where $\psi_2 = 90$ degrees for a ray projecting from the middle of a side parallel to the X axis as shown in FIG. 26C. A similar methodology based on the geometries previously calculated can be used to determine other points (e.g., for example, the location of points T_1 and T_2 can be determined based on the location of points F_1 and F_2 and the desired half angle of light at target plane 756.)

FIG. 26D illustrates the diagonal rays and one ray from the short side projected onto a sphere 759 for exit face 755 and sphere 761 for target plane 756. For exit face 755, the projection of the intersection of the edge rays at the sphere 759 onto the plane of the exit face 755, forms elliptical segments. Likewise, the projection of the diffracted exit rays at the edge of the target face intersect the sphere 761. FIG. 26E, for example, points out the circular intersection 763 of the rays lying in the plane formed by the edge 764 of target face 756 intersecting sphere 761, and the projection 762 of that intersection onto the target plane 756. By calculating the area of each of the elliptical segments surrounding the square of the target face, and adding that to the area of the target face we find the total projected area of the target face, the effective solid angle can be determined for the target plane using EQN. 3B. Similarly, by using sphere 159 and the elliptical segments formed thereon by rays, the effective solid angle for the optical device can be determined. For example, the total projected area is determined as described above and inserted as "projected area of desired solid angle" in equation 3B.

As one illustrative example, using the above method for a half-angle of 30 degrees with a square LED and output face yields an effective solid angle of 0.552 steradians to the target in air. By contrast, the use of the traditional circular projected area with a 30 degree half angle would yield an effective solid angle of 0.785 steradians. When these values are then used in EQUATION 1, for given IORs and flux, the traditional (circular) calculation yields a required exit area that is undersized by about 30%. If one were to design a system using this approach, the applicable physics (conservation of radiance) would reduce the light output by 30% over the optimum design. Conversely, using the corrected effective solid angle described above calculates an exit face area that will produce 42% more light output than is achievable with the circular calculation.

Although particular methods of determining the effective solid angle for a separate optical device are described above, any method known or developed in the art can be used. Alternatively, the minimum surface area to conserve brightness can be determined empirically. Moreover, while the minimum surface area calculations above assume 100% of the emitting entrance face of the separate optical device is receiving light, the phosphor layer may be disposed over only a part of the entrance surface such that a smaller entrance surface area is used. The calculations of the minimum area of the exit plane can be adjusted to account of the actual area receiving light. That is, the actual area of the phosphor layer can be used as A_1 .

The lens body 107 can be optimized for use with a phosphor layer 145 as a uniform emitter at the entrance face using modeling as described above. Lenses according to embodiments described herein can project light into a desired cone angle of 10-60 degrees with a theoretical efficiency of up to 96% in the lens body (meaning that 96% of the light received

from the phosphors is emitted in the desired half-angles with 4% Fresnel loss). The efficiency can be 100% without Fresnel losses.

Embodiments of lenses can be shaped to achieve optimal efficiency in a small package size. In other embodiments, lenses can be shaped to achieve lower efficiencies, while still offering advantages over traditional systems. For example, in one embodiment, a lens can be shaped with an exit face that is at least 70% of the size necessary to conserve radiance for light entering the entrance face for a selected half angle of light emitted from the exit plane. The sidewalls can have a shape so that at least a majority of the light having a straight transmission path from the entrance face to the exit plane are incident on the exit plane at less than or equal to the critical angle. Even at only 60% or 70% efficiency, such an embodiment provides greater efficiency than many other technologies, while also producing uniform or near uniform intensity distributions (or other controlled distribution) at both near and far fields.

Lenses **105** can be constructed to emit light in a uniform distribution pattern with either a sharp or soft cut off (i.e., transition). Using an example of a lens emitting light with a 30 degree half angle, in one embodiment the lens can be shaped so that the uniform light profile extends through the entire 30 degrees and cuts off sharply. In another embodiment, lens can be shaped to produce a profile that is uniform in the 105 degree half angle but tapers off between 105 and 30 degrees. In one such embodiment, the size of the exit face can be selected to conserve radiance for the 30 degree half angle and the sidewalls shaped to create a uniform distribution profile in the 105 degree half angle. In some cases the height of lens **105** can be made shorter to allow some light to escape the sidewalls into the 30 degree half angle. By way of example, but not limitation, the lens geometries can be selected to emit 90% of the light in a uniform profile in the 30 degree half angle and emit the other 10% in the remaining area. Lenses that produce a light profile having softer edges rather than a sharp cut off can be manufactured with a height that is 30% of the minimum height discussed above and still achieve greater than 70% extraction efficiencies.

Lenses **105** can also be shaped to project a percentage of light into a selected beam angle while allowing other light to escape the sidewalls or fall outside of the selected angle. For example, lenses can be constructed such that greater than 50%, greater than 60%, greater than 70% to greater than 90% and approaching 100% of the light emitted by the lens falls within the full beam angle.

While the above embodiments discuss lenses that are separated from the LED by a gap, lenses can also be coupled to the LED without a gap. FIG. **27** is a diagrammatic representation of one embodiment of an optical system **900** including a lens **105** and an LED **110**. While a single LED **110** is illustrated, multiple LEDs can be used with a single lens **105**. Lens **105** can be a separate optical device shaped to emit a uniform distribution of light in a desired half angle with a desired percentage of light in beam.

Lens **105** can be coupled to LED **110** using a friction fit, optical cement or other coupling mechanism, whether mechanical, chemical, or other. Preferably, in the embodiment of FIG. **27**, lens **105** is formed of a single, molded piece of dielectric, optically transmitting material with a single Index of Refraction ("IOR") "n", such as optically transparent silicone or acrylic, though other materials can be used. Furthermore, the IOR of lens **105** is preferably within 110% of the IOR of the substrate of LED **110** (and ideally, the IOR of separate lens **105** is equal to or greater than IOR of the substrate).

FIG. **28** is a diagrammatic representation of one embodiment of adding phosphor to an optical system. According to one embodiment, as illustrated in FIG. **28**, an attachment device **902** or packaging can be used to secure lens **105** to submount **903**, a circuit board or other structure. LED **110** or the entrance face of lens **105** can be coated with phosphor particles **904** between LED **110** and lens **105**. A passage **906** can be used to introduce phosphor layer **904** and optical adhesive between lens **105** and LED **110**. In another embodiment, lens **105** does not have passage **906** and phosphor layer **904** can be applied prior to coupling separate lens **105** to LED **110**. According to one embodiment, phosphor layer **904** can include an optical bonding material loaded with phosphor particles. FIG. **28** also illustrates that lens **105** can surround LED **110** on the sides.

While a lens **105** that emits light in a uniform distribution in a desired half angle provides advantages for light blending, other embodiments of lenses can be used with phosphors. FIG. **29**, for example, is a diagrammatic representation of one embodiment of a system in which a solid dome lens **280** is used. In the embodiment of FIG. **29**, LED **110** is disposed in an LED cavity **130** having tapered sidewalls that act as a reflector **140**. A layer of phosphor **145** covers the entrance face of the body **282** of dome lens **280**. In an array, each LED can be provided with a separate cavity and dome lens **280**. In another embodiment an array of LEDs may be placed in each cavity under a lens. Various embodiments of dome lenses can be used including dome lenses that greater in size than the cavity.

FIG. **30** is a diagrammatic representation of another embodiment of an optical system. In the embodiment of FIG. **30**, encapsulant in the LED cavity **130** around LED **110** forms a convex portion **285**. A lens **105** having a phosphor coating **145** can be adhered to convex portion **285** or to a housing or another structure. The optical system can be assembled such that there is no gap between lens **105** and convex portion **285**. By way of example, but not limitation, lens **105** can include a concave entrance face. In another embodiment, an intermediate layer with a concave entrance face can be used. In an array, each LED can be provided with a separate cavity and dome lens **280**.

One of ordinary skill in the art would understand that phosphor can be disposed on a lens in a variety of manners. As discussed in conjunction with several embodiments above, phosphor can be applied as a coating to an entrance face or buffer layer. FIG. **31** is a diagrammatic representation of another embodiment. In the embodiment of FIG. **31**, lens **805** includes a pocket **810** at the entrance face **815** to lens body **807**. Phosphor particles **820** can be packed in the pocket and held in place with a binding material or with another layer **825** of material. Material **825** is preferably an optically transparent material that can withstand the temperatures of phosphor **820**. FIG. **32** illustrates yet another embodiment of a lens **830** in which a layer of phosphor **835** is sandwiched between a buffer layer **840** and another layer of suitable material **845**. The stack of layers can be coupled to a lens body **850**. The layers of material can include glass, polycarbonate, silicone or other layers.

While this disclosure describes particular embodiments, it should be understood that the embodiments are illustrative and that the scope of the invention is not limited to these embodiments. Many variations, modifications, additions and improvements to the embodiments described above are possible. For example, the various ranges and dimensions provided are provided by way of example and LEDs and lenses may be operable within other ranges using other dimensions.

It is contemplated that these variations, modifications, additions and improvements fall within the scope of the claims.

What is claimed is:

1. An optical system comprising:
an array of LEDs, wherein each LED is disposed in an LED cavity;
a set of lenses optically coupled to the LED array, wherein:
each lens in the set of lenses is positioned to receive light from a corresponding LED and is separated from the corresponding LED by a gap;
each lens in the set of lenses is configured to project light with a uniform profile in a selected half angle; and
the lenses in the set of lenses are spaced so that illumination patterns from the lenses overlap to produce an overall illumination pattern in the selected half angle with an overlap area having a uniform color profile.
2. The optical system of claim 1, wherein the overall illumination pattern has a non-uniform border area corresponding to a width of one or more rows of lenses.
3. The optical system of claim 2, wherein:
the size of the overlap area having the uniform color profile is dependent on a lens to target surface distance; and
the width of the border area is independent of the lens to target surface distance.
4. The optical system of claim 1, wherein a percentage of the overall illumination pattern having the uniform color profile approaches 100% as the lens to target surface distance increases.
5. The optical system of claim 1, wherein each lens in the set of lenses is configured such that at least 50%-95% of light emitted by the lens is emitted in the selected half angle.
6. The optical system of claim 1, further comprising:
a layer of first phosphor particles disposed between a first lens and a first LED, the first phosphor particles selected so that the first lens emits a first color of light;
a layer of second phosphor particles disposed between a second lens and a second LED, the second phosphor particles selected so that the second lens emits a second color of light.
7. The optical system of claim 6, wherein the layer of first phosphor particles comprises one or more of $Y_3Al_5O_{12}:Ce$, or YAG; $(MgSrBa)_2SiO_4:Eu$, or BOS; $(MgCaSr)AlSiN_3:Eu$.
8. The optical system of claim 6, further comprising a third LED configured to emit light of a third color.
9. The optical system of claim 1, wherein each LED in the array of LEDs is disposed in a separate cavity.
10. The LED array of claim 1, wherein the set of lenses and array of LEDs are packaged so that each lens only receives light from the corresponding LED and does not receive light from any other LED in the array of LEDs.

11. A method comprising:
providing an optical system comprising:
an LED array;
a set of lenses optically coupled to the LED array, wherein:
each lens in the set of lenses is positioned to receive light from a corresponding LED and is separated from the corresponding LED by a gap;
each lens in the set of lenses is configured to project light with a uniform profile in a selected half angle; and
the lenses in the set of lenses are spaced so that illumination patterns from the lenses overlap to produce an overall illumination pattern in the selected half angle with an overlap area having a uniform color profile
controlling the LEDs in the LED array to produce a desired uniform color in the overlap area.
12. The method of claim 11, wherein overall illumination pattern has a non-uniform border area corresponding to the width of one or more rows of lenses.
13. The method of claim 12, wherein:
the size of the overlap area having the uniform color profile is dependent on a lens to target surface distance; and
the width of the border area is independent of the target surface to lens distance.
14. The method of claim 11, wherein a percentage of the overall illumination pattern having the uniform color profile approaches 100% as the lens to target surface distance increases.
15. The method of claim 11, wherein each lens in the set of lenses is configured such that at least 50%-95% of light emitted by the lens is emitted in the selected half angle.
16. The method of claim 11, wherein the optical system further comprises:
a layer of first phosphor particles disposed between a first lens and a first LED, the first phosphor particles selected so that the first lens emits a first color of light;
a layer of second phosphor particles disposed between a second lens and a second LED, the second phosphor particles selected so that the second lens emits a second color of light.
17. The method of claim 16, wherein the optical system further comprises a third LED configured to emit light of a third color.
18. The method of claim 17, wherein each LED in the LED array is disposed in a separate cavity.
19. The method of claim 11, further comprising illuminating a billboard with the optical system.
20. The method of claim 11, further comprising illuminating a plant with the optical system.

* * * * *